



EQUIPAGGIAMENTI
TECNICI
LAVAGGIO

30.2800.00
PISTOLA RL 82
GUN RL 82

I
GB

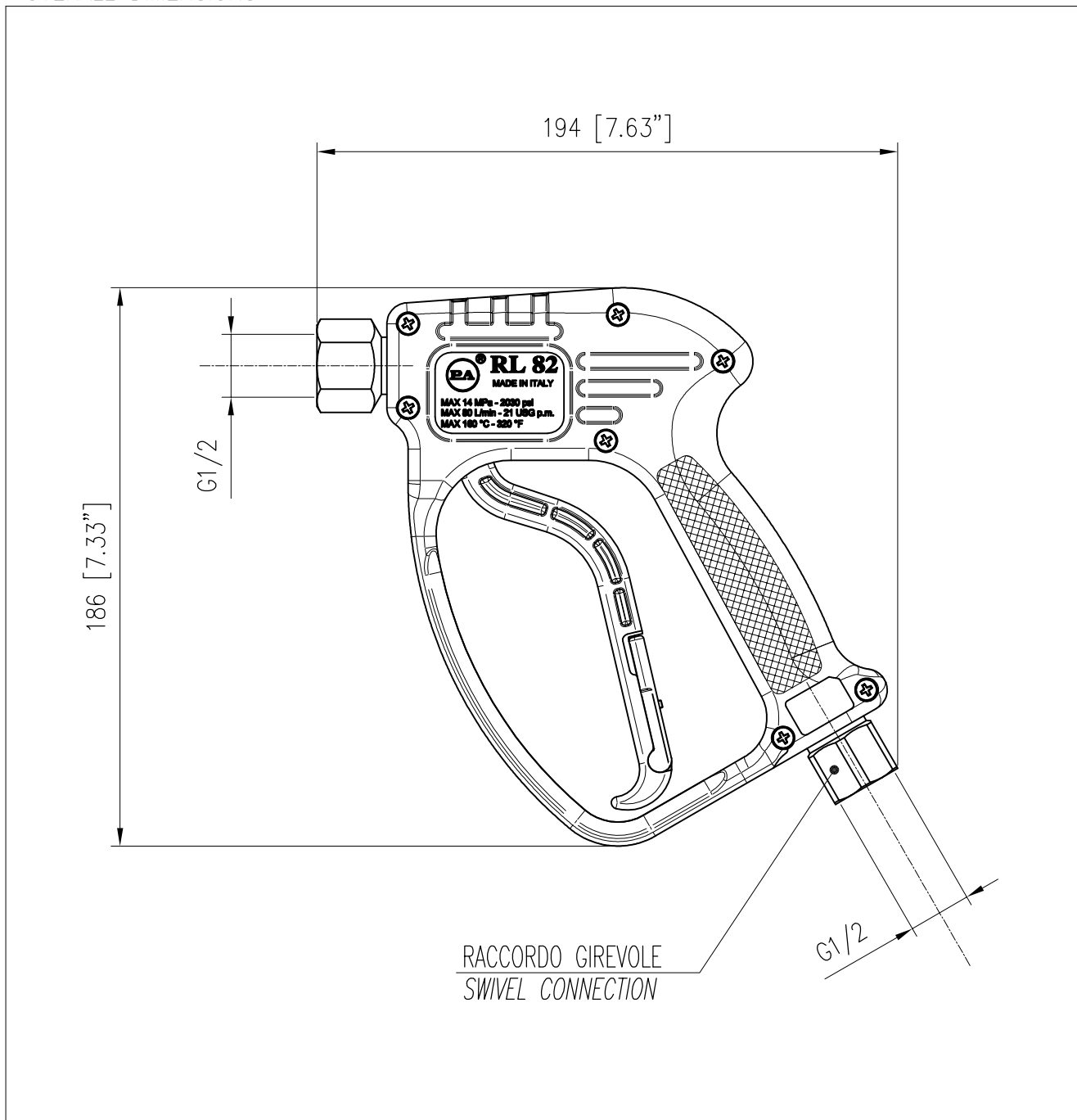
1

05/06/09

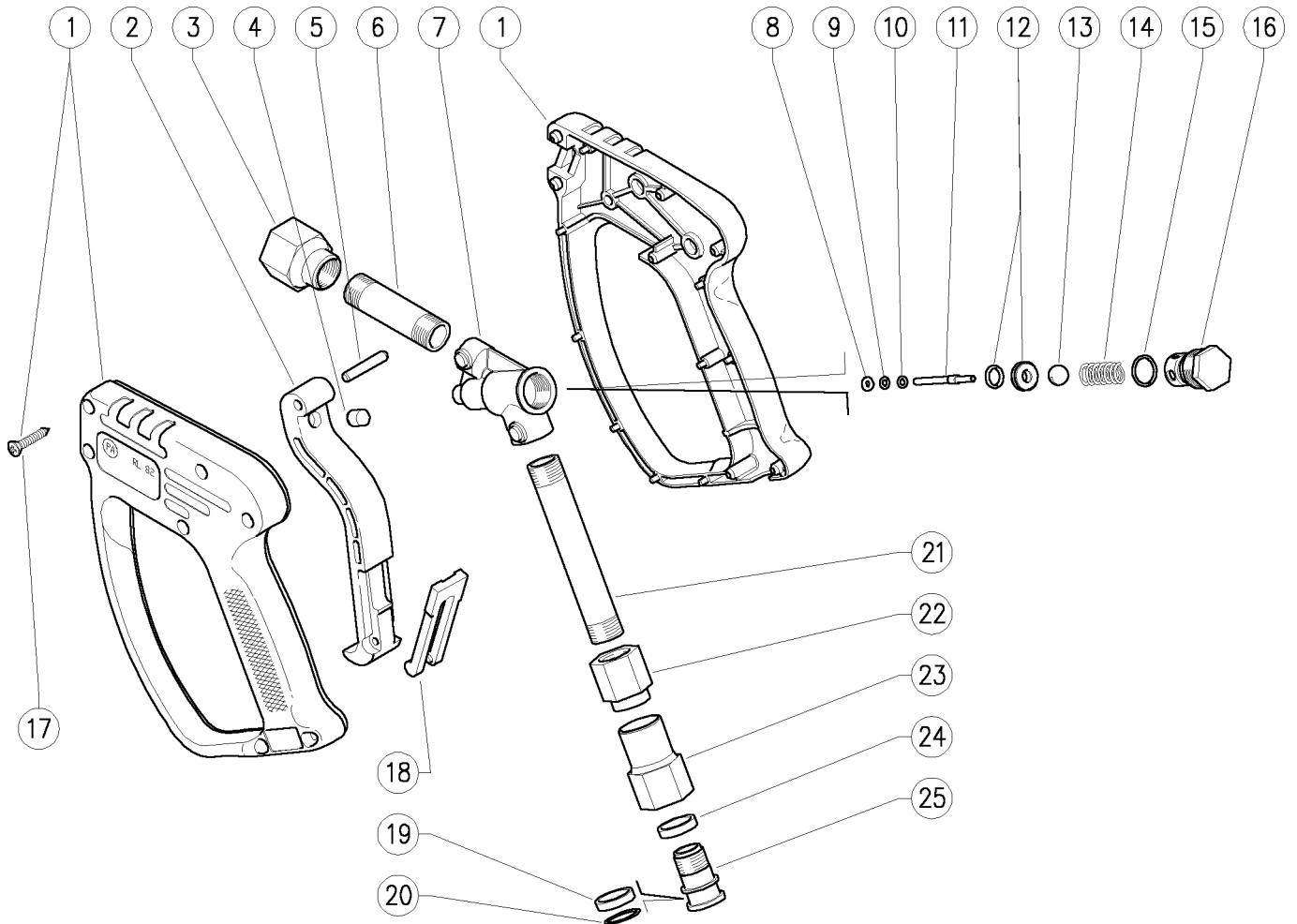
CARATTERISTICHE TECNICHE
SPECIFICATIONS

- PRESSIONE NOMINALE RATED PRESSURE	125 bar – 12.5 MPa (1850 psi)
- PRESSIONE CONSENTITA PERMISSIBLE PRESSURE	140 bar – 14 MPa (2030 psi)
- PORTATA MASSIMA MAX FLOW RATE	80 l/min (21 USG p.m.)
- TEMPERATURA MASSIMA MAX WORKING TEMPERATURE	160° C (320 °F)

MISURE D'INGOMBRO
OVERALL DIMENSIONS



30.2800.00 RL82 sst spr.gun sw5- 1/2F-1/2F Bsp



Pos.	P/N	Description	Q.ty	K1	K2	K3	K4	
1	30.2805.24	Casing-kit -RL82 +screws, Sst.	1					1
2	30.2543.84	Blue trigger RL34-82	1					2
3	30.3171.51	Coupl., M16x1F-1/2F Bsp Sst.	1					3
4	30.0675.84	Stop pin, 8x7,1mm PA	1					10
5	30.2517.31	Parallel pin, 5x27,5 mm brass	1					10
6	30.3180.56	Tube, M16x1 MM 57mm Sst.	1					3
7	30.2804.55	Sst.housing RL82	1					2
8	10.4018.00	Back-up ring, 3,2x7,5x1,2 mm	1	•				10
9	10.3165.00	O-ring, 2,62x2,84 mm Vi 70	1	•				10
10	14.3511.00	Washer, 3,2x7x0,5 mm sst.	1					10
11	30.2802.51	Sst.plunger D.4x3x L.43mm	1	•				10
12	30.2806.20	Seat, 9mm Sst.+O-ring	1	•				10
13	14.7461.00	Ball, 13/32" Sst.	1	•				10

Pos.	P/N	Description	Q.ty	K1	K2	K3	K4	
14	30.4108.51	Spring, 1,6x8,8x24 mm Sst.	1					10
15	10.3060.10	O-ring, 1,78x12,42 mm Vi 70	1	•				10
16	30.2803.51	Sst. plug M18	1					3
17	16.3075.51	S/tapping screw, DIN7981 3,5x18 mm Sst.	7					10
18	30.1515.84	Safety latch, PA blue	1					10
19	26.1075.85	Bushing, open 15,5x19x4 mm PTFE	1	•				5
20	10.3092.10	O-ring, 2x15 mm Vi 70	1	•				10
21	30.3173.56	Tube, M16x1 MM 96mm Sst.	1					5
22	30.3181.51	Coupl., M16x1F-M15x1F Sst.	1					3
23	30.3182.51	Coupl., 1/2F Bsp Sst.	1					3
24	26.1074.85	Bushing, 15,5x19x4 mm PTFE	1	•				5
25	26.1072.51	Pin, M15x1-19 mm Sst.	1					5

Kit	P/N	Description	Q.ty
K1	30.2905.24	Spares kit -RL34, 9(10)x1pcs.	1



EQUIPAGGIAMENTI
TECNICI
LAVAGGIO

30.2900.00
PISTOLA RL 34
GUN RL 34

I
GB

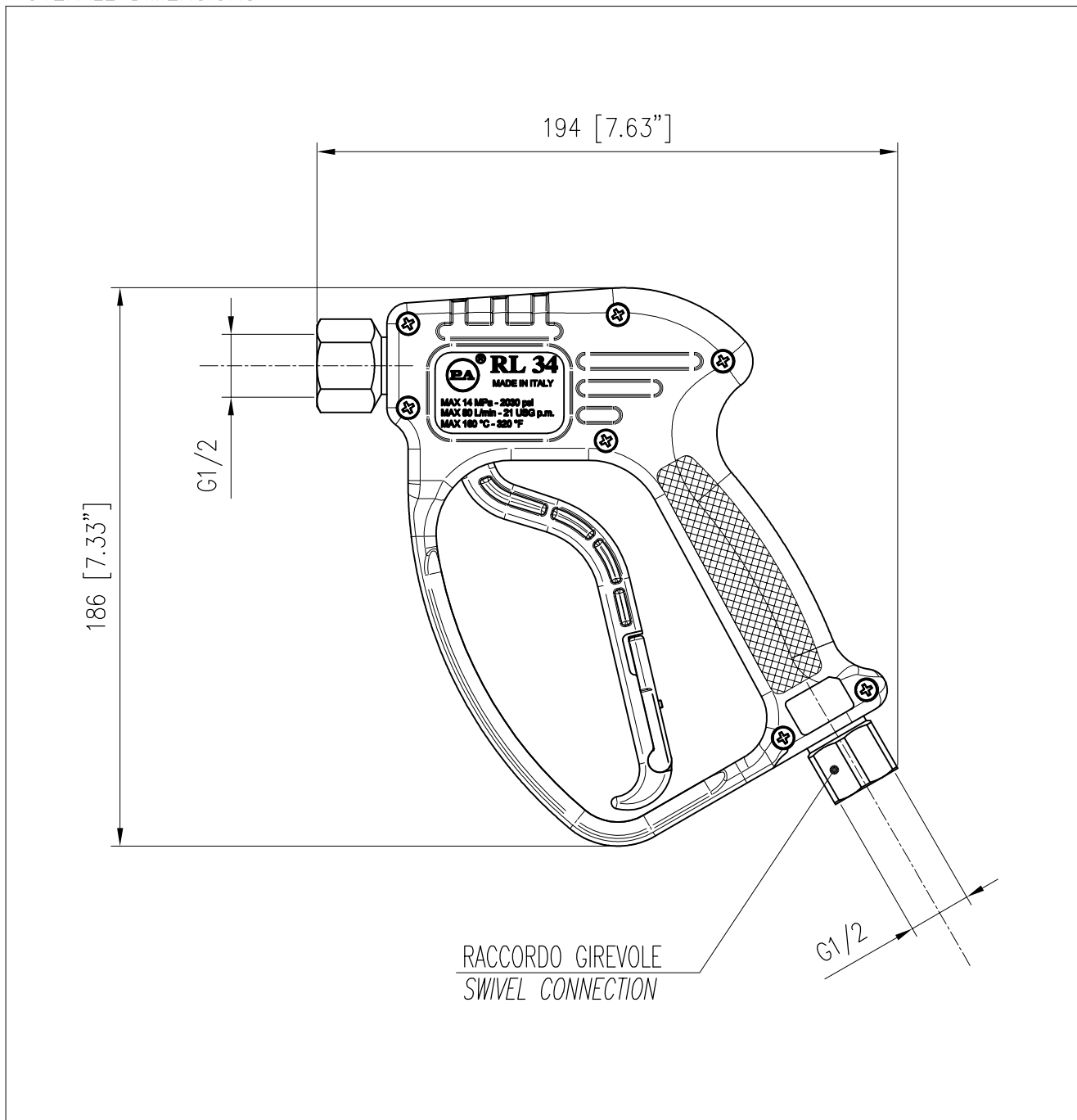
1

05/06/09

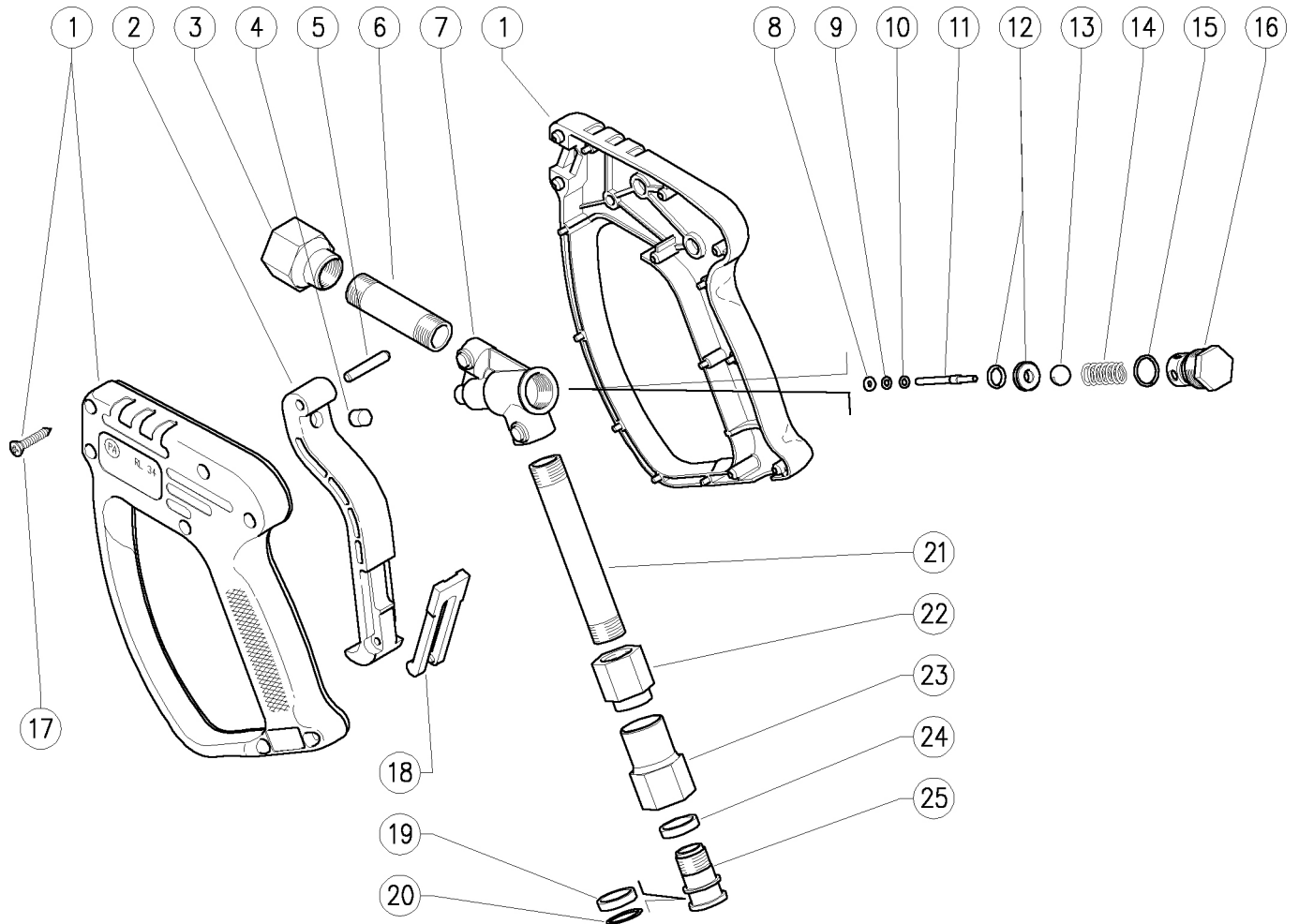
CARATTERISTICHE TECNICHE
SPECIFICATIONS

- PRESSIONE NOMINALE RATED PRESSURE	125 bar – 12.5 MPa (1850 psi)
- PRESSIONE CONSENTITA PERMISSIBLE PRESSURE	140 bar – 14 MPa (2030 psi)
- PORTATA MASSIMA MAX FLOW RATE	80 l/min (21 USG p.m.)
- TEMPERATURA MASSIMA MAX WORKING TEMPERATURE	160° C (320 °F)

MISURE D'INGOMBRO
OVERALL DIMENSIONS



30.2900.00 RL34 brass spr.gun sw5- 1/2F-1/2F Bsp



Pos.	P/N	Description	Q.ty	K1	K2	K3	K4	
1	30.2903.24	Casing-kit -RL34 +screws, Sst.	1					1
2	30.2543.84	Blue trigger RL34-82	1					2
3	30.3171.31	Coupl., M16x1F-1/2F Bsp brass	1					3
4	30.0675.84	Stop pin, 8x7,1mm PA	1					10
5	30.2517.31	Parallel pin, 5x27,5 mm brass	1					10
6	30.3180.36	Tube L.57mm M16x1mm brass	1					3
7	30.2901.35	Brass housing RL34	1					2
8	10.4018.00	Back-up ring, 3,2x7,5x1,2 mm	1	•				10
9	10.3165.00	O-ring, 2,62x2,84 mm Vi 70	1	•				10
10	14.3511.00	Washer, 3,2x7x0,5 mm sst.	1					10
11	30.2802.51	Sst.plunger D.4x3x L.43mm	1	•				10
12	30.2806.20	Seat, 9mm Sst.+O-ring	1	•				10
13	14.7461.00	Ball, 13/32" Sst.	1	•				10

Pos.	P/N	Description	Q.ty	K1	K2	K3	K4	
14	30.4108.51	Spring, 1,6x8,8x24 mm Sst.	1					10
15	10.3060.10	O-ring, 1,78x12,42 mm Vi 70	1	•				10
16	30.2803.31	Spring plug M18 brass	1					3
17	16.3075.51	S/tapping screw, DIN7981 3,5x18 mm Sst.	7					10
18	30.1510.84	Safety latch, PA red	1					10
19	26.1075.85	Bushing, open 15,5x19x4 mm PTFE	1	•				5
20	10.3092.10	O-ring, 2x15 mm Vi 70	1	•				10
21	30.3173.36	Tube L.96mm M16x1 mm brass	1					5
22	30.3181.31	Coupling M15xM16 Brass	1					3
23	30.3182.31	Coupling 1/2 F Bsp, nickel-plated brass	1					3
24	26.1074.85	Bushing, 15,5x19x4 mm PTFE	1	•				5
25	26.1072.31	Pin, M15x1-19 mm brass	1					10

Kit	P/N	Description	Q.ty
K1	30.2905.24	Spares kit -RL34, 9(10)x1pcs.	1