



EQUIPAGGIAMENTI
TECNICI
LAVAGGIO

UGELLO ROTANTE
ROTATING NOZZLE
UR20

(I)

(GB)

4

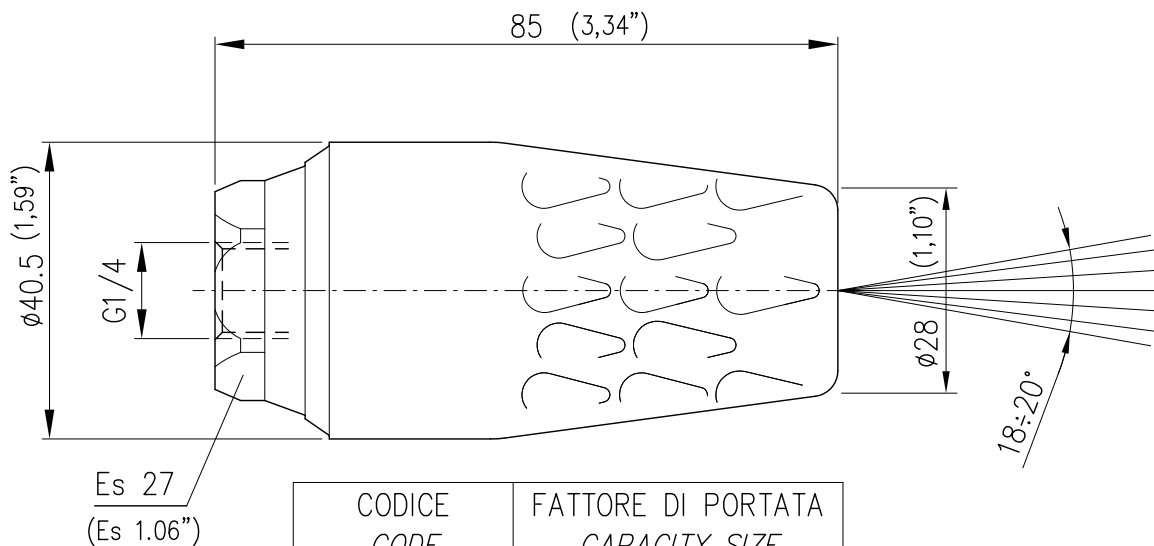
29/09/05

- ROBUSTA COSTRUZIONE IN OTTONE
STRONG BRASS STRUCTURE
- SEDE E UGELLO IN CERAMICA AD ALTISSIMA RESISTENZA
HIGHLY SHOCK-RESISTANT CERAMIC SEAT AND NOZZLE
- ALTO ASSORBIMENTO DEGLI URTI ACCIDENTALI GRAZIE ALLA PROTEZIONE IN PLASTICA.
HIGH ABSORPTION OF ACCIDENTAL BUMPS THANKS TO THE PLASTIC PROTECTION

CARATTERISTICHE TECNICHE
SPECIFICATIONS

- PRESSIONE NOMINALE <i>RATED PRESSURE</i>	207 bar – 20.7 MPa (3000 psi)
- TEMPERATURA MASSIMA <i>MAX WORKING TEMPERATURE</i>	90° C (194 °F)
- PESO <i>WEIGHT</i>	0.33 Kg 11,63 OZ

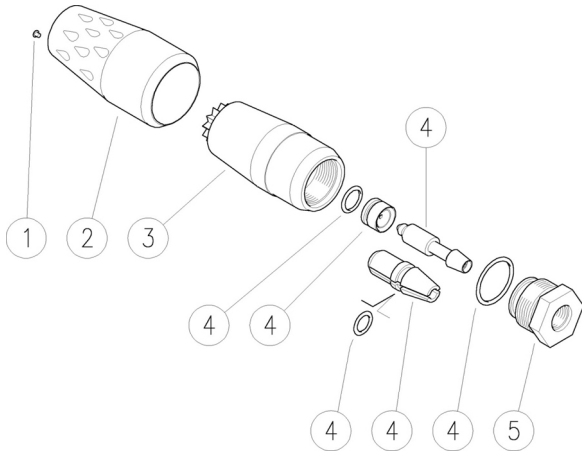
MISURE D'INGOMBRO
OVERALL DIMENSIONS



CODICE <i>CODE</i>	FATTORE DI PORTATA <i>CAPACITY SIZE</i>
25.1720.20	F.P. 02
25.1720.30	F.P. 03
25.1720.35	F.P. 035
25.1720.40	F.P. 04
25.1720.45	F.P. 045
25.1720.50	F.P. 05
25.1720.55	F.P. 055
25.1720.60	F.P. 06
25.1720.65	F.P. 065
25.1720.70	F.P. 07

- 25.1720.20 UR20-02 Rotat.nzl,200bar, green
- 25.1720.30 UR20-03 Rotat.nzl,200bar, white
- 25.1720.35 UR20-035 Rotat.nzl,200bar, brown
- 25.1720.40 UR20-04 Rotat.nzl,200bar, d.yellow
- 25.1720.45 UR20-045 Rotat.nzl,200bar, blue

- 25.1720.50 UR20-05 Rotat.nzl,200bar, l.purple
- 25.1720.55 UR20-055 Rotat.nzl,200bar, d.red
- 25.1720.60 UR20-06 Rotat.nzl,200bar, d.green
- 25.1720.65 UR20-065 Rotat.nzl,200bar, l.blue
- 25.1720.70 UR20-07 Rotat.nzl,200bar, orange



Pos.	P/N	Description	Q.ty	K1	K2	K3	K4	
1	15.2000.30	Stud, 03 white (1)	1					10
2	25.1721.85	Knob UR20, black	1					3
3	25.1722.31	Housing -UR20	1					2
4	25.1924.24	Spares kit -UR20.020 (2)	1					1
4	25.1788.24	Spares kit -UR20.03 (1)	1					1
4	25.1734.24	Spares kit -UR20.035 (3)	1					1
4	25.1733.24	Spares kit -UR20.04 (4)	1					1
4	25.1784.24	Spares kit -UR20.045 (5)	1					1
4	25.1785.24	Spares kit -UR20.05 (6)	1					1
4	25.1786.24	Spares kit -UR20.055 (7)	1					1
4	25.1747.24	Spares kit -UR20.06 (8)	1					1
4	25.1787.24	Spares kit -UR20.065 (9)	1					1
4	25.1789.24	Spares kit -UR20.07 (10)	1					1
5	25.1727.31	Coupling, 1/4 F Bsp (3)	1					3
5	25.1901.31	Coupling, 1/4 F Bsp (4)	1					3
5	25.1902.31	Coupling, 1/4 F Bsp +O-ring (5)	1					3
5	25.1903.31	Coupling, 1/4 F Bsp (6)	1					3
5	25.1904.31	Coupling, 1/4 F Bsp (7)	1					3
5	25.1916.31	Coupling, 1/4 F Bsp (8)	1					3
5	25.1905.31	Coupling, 1/4 F Bsp (9)	1					3

- (1) 25.1720.30 (2) 25.1720.20 (3) 25.1720.35 (4) 25.1720.40 (5) 25.1720.45
 (6) 25.1720.50 (7) 25.1720.55 (8) 25.1720.60 (9) 25.1720.65 (10) 25.1720.70

P.A. SpA EQUIPAGGIAMENTI TECNICI DEL LAVAGGIO

Via Milano, 13 42048 Rubiera - (RE) ITALY
Tel +39 0522 623611 (ric aut) - Fax +39 0522 629600
Info@pa-etl.it - www.pa-etl.it

**COMPANY WITH
QUALITY SYSTEM
CERTIFIED BY DNV**

= ISO 9001 =