



## P.A. - S.p.A. - EQUIPAGGIAMENTI TECNICI DEL LAVAGGIO

VIA MILANO, 13 - CASELLA POSTALE 115 - 42048 RUBIERA (REGGIO EMILIA) - ITALY  
 Tel. +39 0522 623611 - Fax. +39 0522 629600 - R.E.A. RE 156319 - R. I. RE 11535 - Mecc. RE 013446  
 C.F. e P. IVA 01035950359 - Cap. Soc. i.v. € 750.000,00 - Codice Identificativo C.E.E. IT 01035950359  
 ART. 2497 - BIS C.C. DIREZIONE E COORDINAMENTO BENETTI srl R.I. TRIB. DI RE 01480690351  
<http://www.pa-etl.it> - E-mail: [info@pa-etl.it](mailto:info@pa-etl.it)



## VB 9 - Unloader Valve (discharging)

Technical manual: **E 210**

Pressure regulating unloader valve with port for pressure gauge.  
 At gun shut off, the water flow is bypassed at reduced pressure.

DN 10



- **60.2200.00** VB 9 G3/8 FF
- **60.2250.00** VB 9 with knob G3/8 FF
- **60.2250.50** VB 9 3/8 NPT FF

- Sturdy steel and brass construction
- Resetting of bypass at around 40 bar – 4 MPa which allows periods of non labour before the release for bypass setting.
- Hexagonal shaped check valve to avoid jamming.
- Version with knob, fitted with locknuts for min. and max. pressure regulation.
- Possibility to fit a venturi injector, on delivery, for chemicals.

### Technical specifications

Part Number	Rated pressure	Permissible pressure	Minimum adjustable pressure	(2)Trapped pressure at circuit closure	(3)Pressure drop to reset bypass	Fittings	Weight
	bar - MPa	bar - MPa	bar - MPa	%	%		
60.2200.00	220 - 22	250 - 25	22 – 2.2	13	76	G3/8-MF	620
60.2250.00	220 - 22	250 - 25	22 – 2.2	13	76	G3/8-MF	770
60.2250.50	220 - 22	250 - 25	22 – 2.2	13	76	3/8NPT FF	770

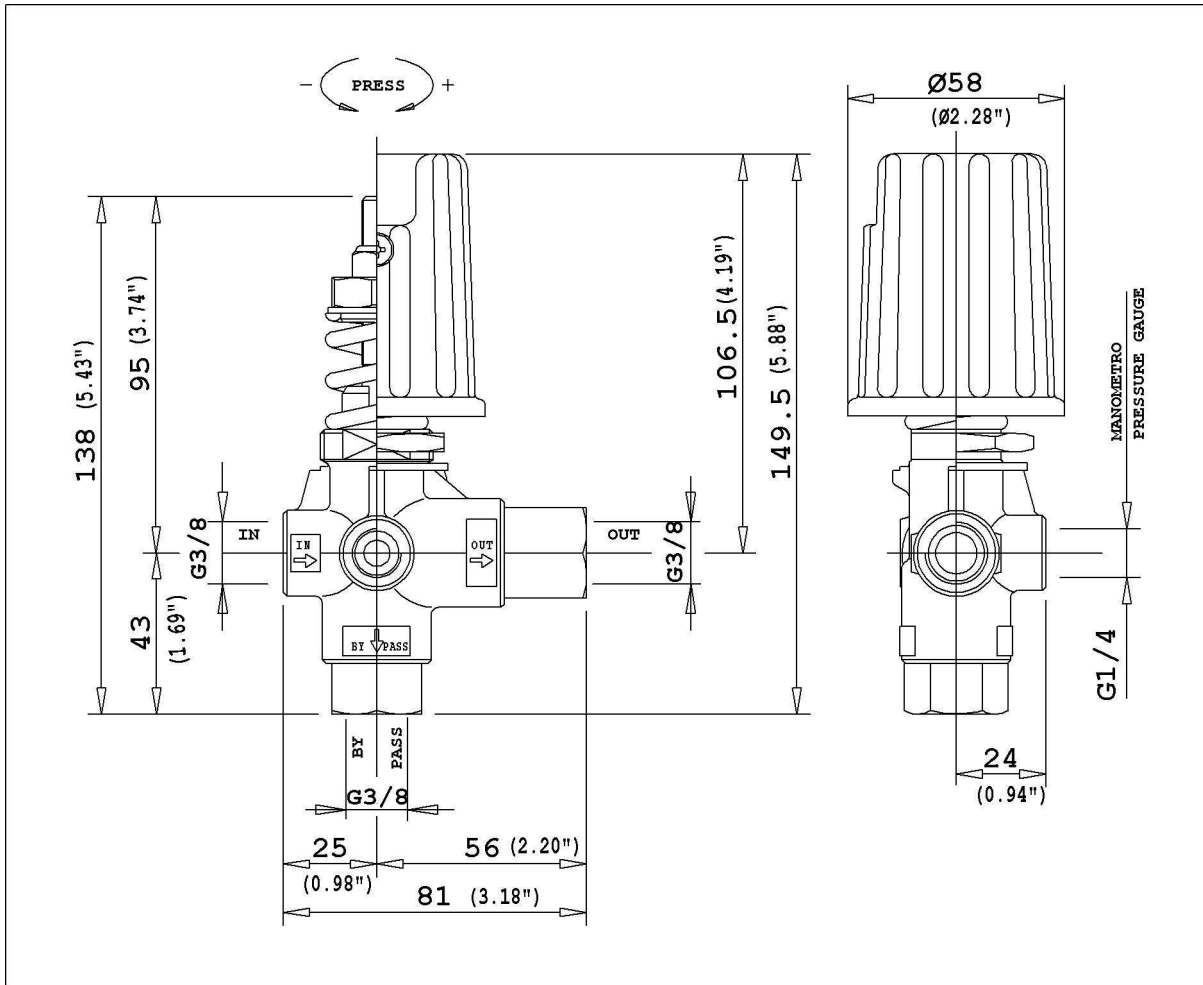
**(1)** The valve has been designed for a continuous use at a water temperature of 60°C. It can resist for short periods at a maximum temperature of 90°C.

**(2)** This is the maximum pressure increase implemented in the circuit for the intervention of the valve and to bring all the fluid in bypass (percentage figures of the pressure set up)

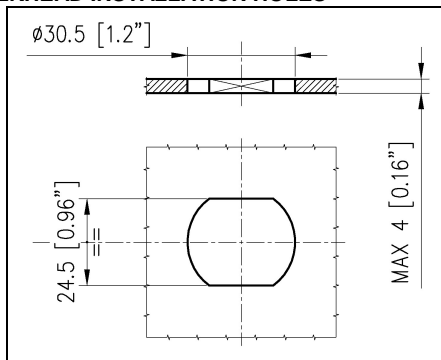
**(3)** This is the pressure reduction necessary in comparison to the set up, in order that the valve brings back pressure in the circuit. (percentage figures of the pressure set up)

<b>Instruction manual, maintenance, installation, spare parts.</b> For a correct utilization, follow the directions of this manual <b>Re-print them on the Use and Maintenance booklet of the machine.</b>	n. 12.9210.00

**DIMENSIONAL DRAWING**



**BULKHEAD INSTALLATION HOLES**



**INSTRUCTIONS**

**SELECTION**

This product is to be utilized with clean fresh water, even slightly additivated with normal detergents. For use involving different or corrosive liquids, contact the PA Technical department. Appropriate filtration should be installed when using unclean liquids. Choose the valve in line with the data of nominal running (system rated pressure, max flow and max temperature). **In any case, the pressure of the machine should not exceed the permissible pressure rate imprinted on the valve.**

**INSTALLATION**

This accessory, on a system that produces hot water, must be fitted in **front of the heat generator**. This product is bound to be incorporated on a finished machine. On a system that generates hot water, anticipate the fitting of accessories that limit the accidental increase of fluid temperature.

**Always install a safety valve that protects the pressurized inlet channel.**

Choose a correct nozzle size, which allows a regular discharge on bypass, at least 5% of the total flow of the system in order to achieve a constant pressure value and avoid troublesome pressure spikes at closure. If the nozzle wears out, the pressure drops. On installation of a new nozzle, re-adjust the system to the original pressure setting.

## OPERATIONS

The valve regulates the max pressure of the system through a piston, which acts on a ball correctly positioned, that closes the bypass opening. A check valve cuts out the delivery section, the pressure of which controls the drive of the piston.

Each regulation should be made when the system is operational and the nozzle open.

**ATTENTION: In order not to overstep the max pressure, the nut (pos21) must be fastened and never removed otherwise a mechanical safety feature would lack that limits the max pressure avoiding serious damage to persons and machine. For the min pressure position the locknut (pos 26) on the nut (pos 27) blocking it with a dowel (pos 25). Mark the position with a drop of paint in order to prevent possible slackening and tampering.**

The balanced conformation of the valve allows a renewed pressure at very low readings giving a longer function in bypass and a progressive start, without unpleasant pressure spikes, useful with endothermic engines.

### DISCHARGE SYSTEM AND WATER ADDUCTION

The bypass line should be returned into a tank with deflectors. By using a direct pump recycle, with elevated pressure intake, it is necessary to install a pressure reducer in order to have an even flow supply and to protect the circuit intake.

When the system is opened and closed frequently, it is recommended to install a thermal protector valve (VT3 or VT6) in order to eliminate excessive temperature build-up.

## PROBLEMS AND SOLUTIONS

PROBLEMS	PROBABLE CAUSES	SOLUTIONS
Frequent unloader recycles	Damaged check valve O ring Leaking connections Restricted bypass	Replace Check and renew Clean or adapt
Unloader does not reach pressure	Unloader not properly sized Piston O rings worn out Material matter between seat and shutter Worn out nozzle	Change spring or type of valve Replace Clean the seat Replace
Pressure peaks	There is not a min of 5% of total flow in bypass Excessive flow in bypass Spring totally compressed	Reset Change type of valve or adjust passages Loosen knob and change nozzle
Unloader does not bypass at low pressure	Jammed check valve Check valve O ring worn out Material matter on check valve	Clean or replace Replace Clean

## REGULATIONS : *see norm manual*

**The accessory hereby described bears the CE marking in accordance with the Norms and Directives applied on the Declaration of conformity.**

For a correct utilization, follow the directions described in this manual and re-print them on the Use and maintenance manual of the machine.

Make sure that you are given **the Original Conformity Declaration** for the accessory chosen. The present manual is valid for all unloader valves named **VB 9**.

## MAINTENANCE

Maintenance has to be carried out by **Specialized Technicians**.

**STANDARD:** every 400 working hours (circa 10,000 cycles), check and lubricate the seals with water resistant grease.

**SPECIAL:** every 800 working hours( circa 20,000 cycles), control the wear of the seals and internal parts and if necessary, replace with original PA parts taking care during installation and to lubricate with water resistant grease.

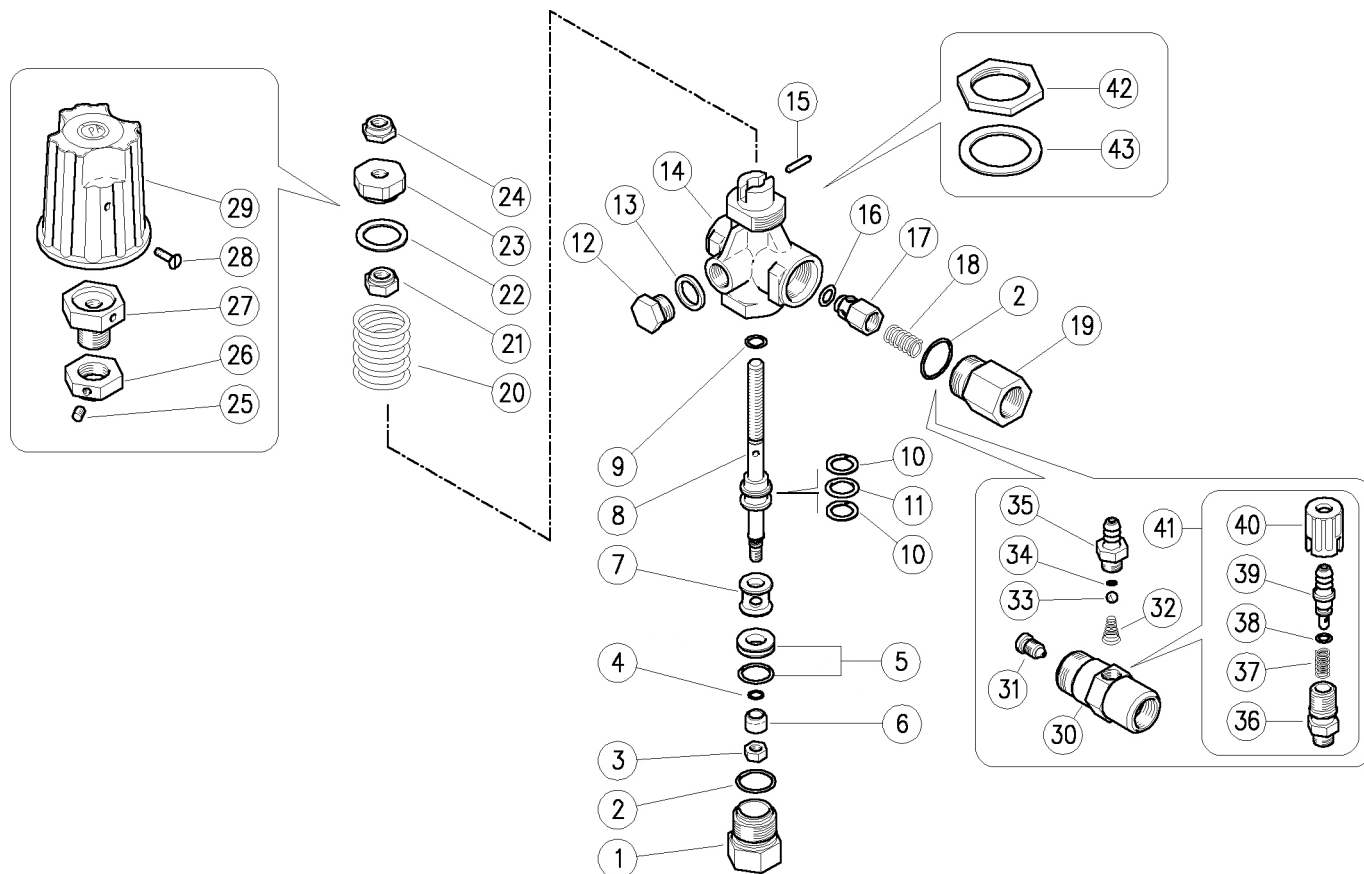
**ATTENTION: reassemble the valve in the correct manner paying special attention to the Nut (pos 21) which must always be in place.**

**The manufacturer is not to be considered responsible for damage as a result from incorrect fitting and maintenance**

Technical data, descriptions and illustrations are indicative and liable to modification without notice.

60.2200.00 VB9 unload. 3/8F Bsp

60.2250.00 VB9 unload. 3/8F Bsp +knob



Pos.	P/N	Description	Q.ty	K1	K2	K3	K4		Pos.	P/N	Description	Q.ty	K1	K2	K3	K4	
1	60.2204.31	Seat holder, 3/8F Bsp brass	1					3	23	60.2209.31	Ring nut, M8 brass (1)	1					10
2	10.3070.02	O-ring, 1,78x18,77 mm Ni 85	2	•				10	24	11.4589.10	Hex. locknut, M8	1					10
3	11.4540.00	Hex. nut, M6, Sst.	1					10	25	16.2105.00	Set screw, DIN913 M5x6 mm (2)	1					10
4	10.3001.01	O-ring, 1x4 mm Ni 85	1	•				10	26	60.2252.31	Ring nut, M16x1 brass (2)	1					5
5	60.2221.20	Seat+O-ring	1	•				3	27	60.2253.31	Regulating pin, brass (2)	1					10
6	60.2205.61	Sst shutter	1	•				1	28	16.1838.00	Screw, DIN7985 M4x10 mm z.pl. (2)	1					10
7	60.2210.31	Spacer ring, 8,5x16,8x14,5 mm brass	1					5	29	60.2251.84	Valve regulating knob, PA black (2)	1					5
8	60.2202.51	Piston, M6-M8 Sst.	1					5	30	21.0261.31	Inject.hous.,M22x1,5M-3/8M Bsp brass	1					3
9	10.3170.08	O-ring, 2,62x7,6 mm Ni 85	1	•				10	31	21.0213.51	Nozzle, M8x1 - 2,1 mm Sst.	1					10
10	10.4021.00	Back-up ring, oprn. 11,5x15,9x1,2 mm	2	•				10	32	21.0160.51	Tapered spring, Sst. -inject.	1					10
11	10.3175.00	O-ring, 2,62x10,77 mm	1	•				10	33	14.7420.01	Ball, 7/32" Sst. Aisi 316	1					10
12	28.0013.31	Plug, brass 1/4 Bsp	1					25	34	10.3049.00	O-ring, 1,78x5,28 mm Vi 70	1					10
13	14.3911.00	Washer, 13,5x19x1,5 mm Cu	1					10	35	21.0003.31	Hose barb, 8 - M12x1 mm brass	1					10
14	60.2201.35	Housing -VB9, 3/8F-1/4F Bsp brass	1					5	36	21.0173.31	Coupling, M12x1-1/4M Bsp brass	1					10
15	15.1021.00	Roll pin, 3x14 mm Sst.	1					10	37	21.0158.51	Spring, 0,8x7x15 mm Sst.	1					10
16	10.3213.00	O-ring, 3x6 mm	1	•				10	38	10.3043.01	O-ring, 1,78x4,48 mm Vi 70	1					10
17	60.0052.99	Shutter pin, brass+o-ring 3x6 mm	1					10	39	21.0155.99	Hose barb, d.8 mm brass+o-ring	1					3
18	60.0053.51	Spring, 0,7x9x20 mm Sst.	1					10	40	21.0171.84	Inject.knob, 1/4F Bsp black	1					10
19	60.0058.31	Delivery coupl., 3/8F Bsp brass	1					5	41	21.0100.00	Regulator+h.barb 8-M12x1mm brs. inject.	1					50
20	60.2203.61	Spring, 4,2x27,4x31 mm z.pl.	1					10	42	60.2254.31	Ring nut, M30 brass (2)	1					10
21	60.2207.31	Ring nut, M8 brass	1					5	43	14.3582.00	Washer, 30,5x42x2 mm (2)	1					10
22	60.2208.84	Washer, 19x26x1,5 mm PA black	1					10									

Kit	P/N	Description	Q.ty
K1	60.2226.24	Spares kit -VB9 9x1pcs.	1

(1) 60.2200.00 (2) 60.2250.00

CODICE  
CODE

60.22XX.XX

60.23XX.XX

60.11XX.XX

VALVOLE  
UNLOADERS

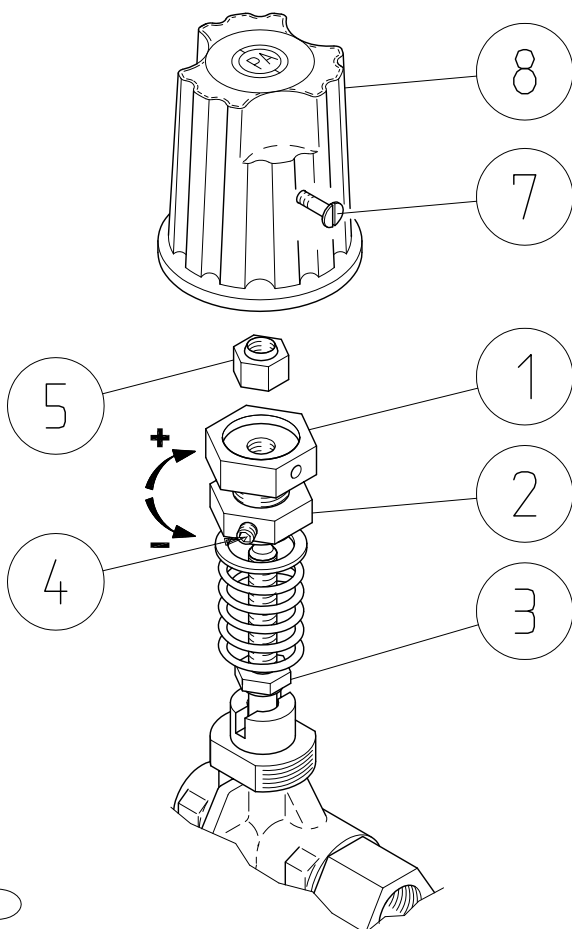
VB9-VB10

REGISTRAZIONE DELLA PRESSIONE MASSIMA  
E DELLA PRESSIONE MINIMA

DA EFFETTUARE AL MOMENTO DELL'INSTALLAZIONE  
CON POMPA IN FUNZIONE, UGELLO ADEGUATO E  
PISTOLA APERTA.

SETTING PROCEDURE FOR THE ADJUSTMENT  
OF THE MAX. AND MIN. OPERATING PRESSURE

WHILE THE PUMP IS RUNNING WITH GUN OPEN  
AND CORRECT SPRAY TIP.



①

GB

1. Con la Vite di arresto (4) allentata, avvitare completamente la Ghiera (2) sul Registro (1) (senso della freccia segno -).
2. Avvitare il Registro (1), completo di Ghiera comprimendo la molla fino ad incontrare il Dado di fermo (3).
3. Ruotare la Ghiera (2) per fissare il valore della PRESSIONE MASSIMA desiderata (che in nessun caso dovrà superare i 220bar - 22 MPa) facendo attenzione che almeno il 5% della portata della pompa resti in SCARICO. Bloccare la Ghiera (2) in posizione serrando la Vite (4).
4. Svitare il Registro (1) scaricando la molla ed abbassando la PRESSIONE al valore MINIMO che può essere fissato posizionando il Dado di fermo (5).
5. Montare infine la Manopola (8) fissandola al Registro con la Vite (7). Nel caso lo si voglia, la Vite (7) può essere trattata con vernice a garanzia di eventuali manomissioni.

1. Loosen the stop dowel (4) and screw on completely the nut (2) on the Register (1) counterclockwise.
2. Fasten the Register (1) together with the nut (2) compressing the spring until the register meets the stop nut (3).
3. Screw on the nut (2) until you reach the wanted Maximum pressure (which should never exceed 220bar-22 MPa/3200PSI) paying attention that at least 5% of the flow goes to by-pass. Lock the nut (2) with the stop dowel (4).
4. Unscrew the Register (1) releasing the spring and lower the Pressure to the Minimum, that can be fixed positioning the stop nut (5).
5. Assemble the knob (8) and fix it to the Register (1) with the screw (7). You may set a drop of paint on the screw (7) to check whether the regulation has been tampered with.