



STEINER[®]

OWNER/OPERATOR'S MANUAL & ILLUSTRATED PARTS LIST

MODELS:

75-70855	MOWER DECK-48" MD448
75-70860	MOWER DECK-60" MD460
75-70865	MOWER DECK-72" MD472



WARNING: If incorrectly used this machine can cause severe injury. Those who use and maintain this machine should be trained in its proper use, warned of its dangers and should read the entire manual before attempting to set up, operate, adjust or service the machine.



09-254B REV D

**CALIFORNIA
Proposition 65 Warning**

Diesel engine exhaust and some of its constituents are known to the State of California to cause cancer, birth defects and other reproductive harm.

 **WARNING**

The engine exhaust from this product contains chemicals known to the State of California to cause cancer, birth defects or other reproductive harm.

**Californie Proposition 65
Avertissement**

Les échappements des moteurs diesel et certains de leurs composés sont reconnus par l'Etat de Californie pour être cancérigènes, provoquer des défauts congénitaux et d'autres dangers en matière de reproduction.

 **AVERTISSEMENT**

L'émission du moteur de ce matériel contient des produits chimiques que l'Etat de Californie considère être cancérigènes, provoquer des défauts congénitaux et d'autres dangers en matière de reproduction.

**California Advertencia
de la Proposicion 65**

El estado de California hace saber que los gases de escape de los motores diesel y algunos de sus componentes producen cáncer, defectos de nacimiento y otros daños en el proceso de reproducción humana.

 **ADVERTENCIA**

El estado de California hace saber que los gases de escape de este producto contienen productos químicos que producen cáncer, defectos de nacimiento y otros daños en el proceso de reproducción humana.

ROTARY MOWER



IMPORTANT MESSAGE

Thank you for purchasing this Jacobsen product. You have purchased a world class product, one of the best designed and built anywhere.

This product comes with an Owner/Operator's Manual. The useful life and good service you receive from this product depends to a large extent on how well you read and understand this manual. Treat this product properly and adjust it as instructed, and it will give you many years of reliable service.

See a Jacobsen dealer for any service or parts needed. Jacobsen service ensures that you continue to receive the best results possible from Jacobsen products. You can trust Jacobsen replacement parts because they are manufactured with the same high precision and quality as the original parts.

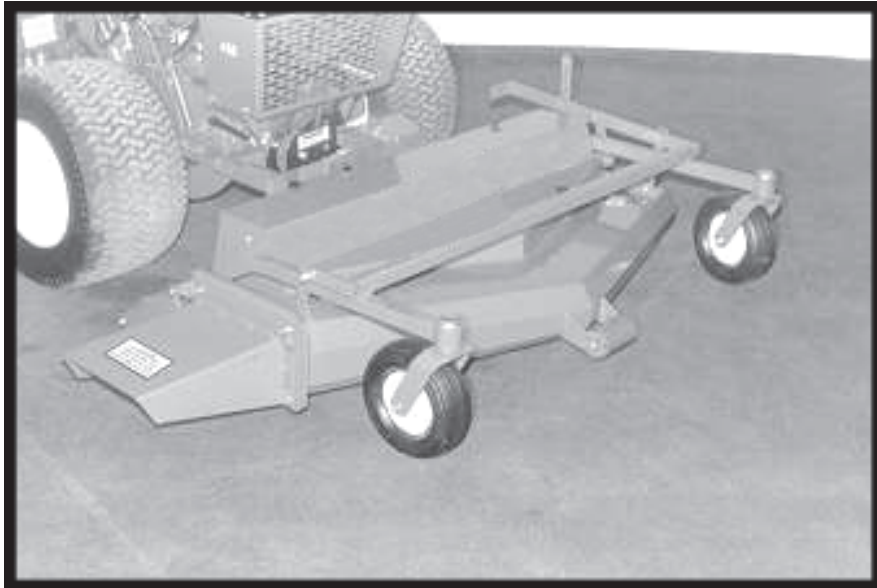
Jacobsen designs and builds its equipment to serve many years in a safe and productive manner. For longest life, use this product only as directed in the manual, keep it in good repair and follow safety warnings and instructions. You'll always be glad you did.

Jacobsen, a Textron Company
One Bob Cat Lane
Johnson Creek, WI 53038-0469

TABLE OF CONTENTS	FIGURES	PAGE
INTRODUCTION		2
SPECIFICATIONS		3
SAFETY		4-7
DECALS		8, 9
ASSEMBLY INSTRUCTIONS		10
INSTALLATION		11
OPERATION		12
SERVICE		13-17
DECK PARTS 48"	FIGURE 1	18, 19
DECK PARTS 60"	FIGURE 2	20, 21
DECK PARTS 72"	FIGURE 3	22, 23
FRAME PARTS 48"	FIGURE 4	24, 25
FRAME PARTS 60"	FIGURE 5	26, 27
FRAME PARTS 72"	FIGURE 6	28, 29
HITCH & DRIVE PARTS	FIGURE 7	30, 31
SPINDLE PARTS	FIGURE 8	32, 33
FLIP-UP DECKS	FIGURE 9	34, 35

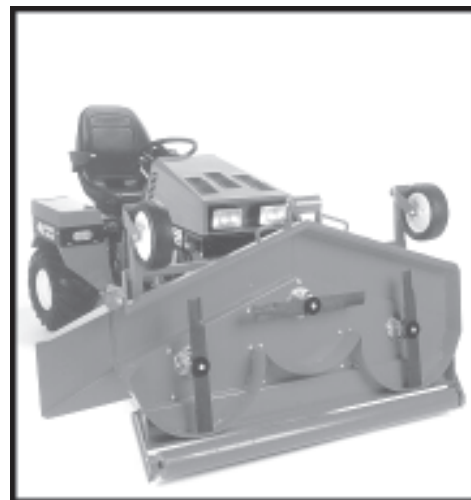
DESCRIPTION

A full-floating rotary mower deck is designed to fit all Steiner power units with the quick hitch front lift. Three sizes match the power unit to the application. These decks are easy to attach and detach allowing interchange with the many other front mounted attachments. The side discharge rotary mower provides even distribution of clippings while the full-floating deck follows the contours of the terrain for an even cut with cutting height controlled by the front caster wheels and full width rear roller. The deck can be safely serviced and cleaned while still attached to the tractor. Convenient handles enable the deck to be lifted vertically over 90 degrees so the blades are fully exposed. Exceptional visibility and maneuvering is possible with this front mounted design mower.



NOTE: The flip-up deck feature was added beginning with the following Serial Numbers:

75-70855 -----	1494
75-70860 -----	4728
75-70865 -----	1970



SPECIFICATIONS

Model	75-70855	75-70860	75-70865
Overall Width with Chute:	60-1/2"	73"	85"
Overall height:	19"	19"	19"
Overall length:	49-1/2"	48-3/4"	55"
Cutting Width:	47"	59-3/8"	72"
Cutting Height:	1" to 4-1/2"	1" to 4-1/2"	1" to 4"
Blades:	3 - 16-1/4" blades	3 - 20-1/2" blades	3 - 24-3/4" blades
Weight:	330 lbs.	360 lbs.	470 lbs.

NOTICE !!!

Unauthorized modifications may present **extreme** safety hazards to operators and bystanders and could also result in product damage.

Jacobsen, a Textron Company strongly warns against, rejects and disclaims any modifications, add-on accessories or product alterations that are not designed, developed, tested and approved by Jacobsen Engineering Department. Any Jacobsen product that is altered, modified or changed in any manner not specifically authorized after original manufacture—including the addition of “after-market” accessories or component parts not specifically approved by Jacobsen—will result in the Jacobsen Warranty being voided.

Any and all liability for personal injury and/or property damage caused by any unauthorized modifications, add-on accessories or products not approved by Jacobsen will be considered the responsibility of the individual(s) or company designing and/or making such changes. Jacobsen will vigorously pursue full indemnification and costs from any party responsible for such unauthorized post-manufacture modifications and/or accessories should personal injury and/or property damage result.



This symbol means:
ATTENTION!
BECOME ALERT!

Your safety and the safety of others is involved.

Signal word definitions:

The signal words below are used to identify levels of hazard seriousness. These words appear in this manual and on the safety labels attached to Jacobsen machines. For your safety and the safety of others, read and follow the information given with these signal words and/or the symbol shown above.

DANGER

DANGER indicates an imminently hazardous situation which, if not avoided, **WILL** result in death or serious injury.

WARNING

WARNING indicates a potentially hazardous situation which, if not avoided, **COULD** result in death or serious injury.

CAUTION

CAUTION indicates a potentially hazardous situation which, if not avoided, **MAY** result in minor or moderate injury. It may also be used to alert against unsafe practices or property damage.

CAUTION

CAUTION used without the safety alert symbol indicates a potentially hazardous situation which, if not avoided, **MAY** result in property damage



MODEL NUMBER: This number appears on sales literature, technical manuals and price lists.

SERIAL NUMBER: This number appears only on your mower. It contains the model number followed consecutively by the serial number. Use this number when ordering parts or seeking warranty information.

GENERAL SAFETY

1. Read and understand the Owner's Manual before attempting to operate this machine.
2. Operate all controls from the operator's seat, (if so equipped). **NO RIDERS.**
3. Keep all shields in place and safety switches adjusted properly.
4. Do not leave equipment unattended. Park on a level surface, set parking brake, STOP the engine and remove the key.
5. Do not allow minors or the inexperienced to operate this machine.
6. Keep people and pets a safe distance away from machine using power driven attachments. Injury could result from flying debris.

WARNING

7. Do not attempt to work on unit or any attachments with engine running!
8. Wear all the necessary protective clothing and personal safety devices to protect your head, eyes, ears, hands and feet. Operate the machine only in daylight or in good artificial light.

IMPORTANT Safe Operation Practices for Mowers

WARNING

This cutting machine is capable of amputating hands and feet and throwing objects. Failure to observe the following safety instructions could result in serious injury or death.

I GENERAL OPERATION

- Read, understand, and follow all instructions in the manual and on the machine before starting.
- Only allow responsible adults, who are familiar with the instructions, to operate the machine.
- Clear the area of objects such as rocks, toys, wire, etc., which could be picked up and thrown by the blade.
- Be sure the area is clear of other people before mowing. Stop the machine if anyone enters the area.
- Never carry passengers.
- Do not mow in reverse unless absolutely necessary. Always look down and behind before and while backing.
- Be aware of the mower discharge direction and do not point it at anyone. Do not operate the mower without the discharge chute in place.
- Slow down before turning.
- Never leave a running machine unattended. Always turn off blades, set parking brake, stop engine, and remove keys before dismounting.
- Turn off blades when not mowing.
- Stop engine before unclogging discharge chute.
- Mow only in good light, keeping away from holes and hidden hazards.

- Do not operate the machine while under the influence of alcohol or drugs.
- Watch for traffic when operating near or crossing roadways.
- Use extra care when loading or unloading the machine into a trailer or truck.
- Always wear safety goggles or safety glasses with side shields when operating mower.

II SLOPE OPERATION

WARNING

Slopes are a major factor related to loss-of-control and tip-over accidents, which can result in severe injury or death. All slopes require extra caution. If you feel uneasy on it, do not mow it.

DO:

- Mow up and down slopes, not across.
- Remove obstacles such as rocks, tree limbs, etc.
- Watch for holes, ruts, or bumps. Uneven terrain could overturn the machine. Tall grass can hide obstacles.
- Use slow speed on slopes.
- Follow the manufacturers recommendations for wheel weights or counterweights to improve stability.
- Use extra care with grass catchers or other attachments. These can change the stability of the machine.
- Keep all movement on the slope slow and gradual. Do not make sudden changes in speed or direction.
- Avoid stopping or starting on a slope. If tires lose traction, disengage the blades and proceed slowly straight down the slope.

DO NOT:

- Do not turn on slopes unless necessary, and then, turn slowly and gradually downhill, if possible.
- Do not mow drop-offs, ditches, or embankments. The mower could suddenly turn over if a wheel is over the edge of a cliff or ditch, or if an edge caves in.
- Do not mow on wet grass. Reduced traction could cause sliding.
- Do not try to stabilize the machine by putting your foot on the ground.
- Do not use grass catcher on steep slopes.

III CHILDREN

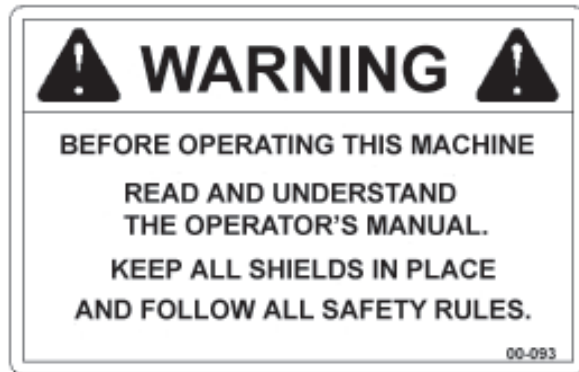


Tragic accidents can occur if the operator is not alert to the presence of children. Children are often attracted to the machine and the mowing activity. Never assume that children will remain where you last saw them.

- Keep children out of the mowing area and under the watchful eye of another responsible adult.
- Be alert and turn machine off if children enter the area.
- Before and when backing, look behind and down for small children.
- Never carry children as passengers, even with the blades off. They may suddenly fall off and be seriously injured or interfere with safe machine operation.
- Never allow children to operate the machine.
- Use extra care when approaching blind corners, shrubs, trees, or other objects that may obscure vision.

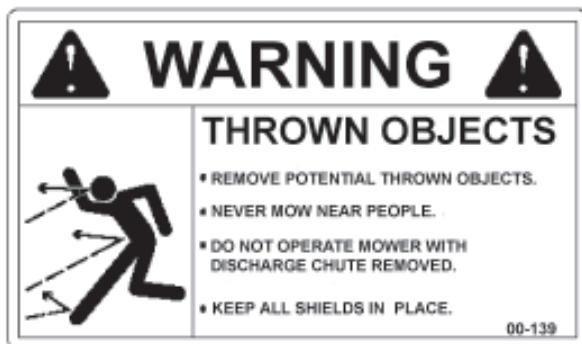
IV SERVICE

- Use extra care in handling gasoline and other fuels. They are flammable and the vapors are explosive.
 - Use only an approved container.
 - Never remove gas cap or add fuel with engine running. Allow engine to cool before refueling.
 - Do not smoke.
 - Never add or drain fuel with machine indoors.
 - Never store the machine or fuel container inside where there is an open flame, such as in a water heater.
- Never run the machine in a closed area.
- Keep nuts and bolts, especially blade attachment bolts, tight and keep equipment in good condition.
- Never tamper with safety devices. Check their proper operation regularly.
- Keep machine free of grass, leaves, and other debris build-up. Clean up oil or fuel spillage. Allow machine to cool before storing.
- Stop and inspect the equipment if you strike an object. Repair, if necessary, before re-starting.
- Never make adjustments or repairs with the engine running.
- Discharge chute components are subject to wear, damage, and deterioration, which could expose moving parts or allow objects to be thrown. Frequently check components and replace with manufacturer's recommended parts, when necessary.
- Mower blades are sharp and can cut. Wrap the blade(s) or wear gloves, and use extra caution when servicing them.
- Check brake operation frequently (if equipped). Adjust and service as required.



Location:

On mower deck, front center.



Location:

On mower deck and discharge chute.



Location:

On mower deck top front center and both sides.



Location:

On mower deck top shield.

1. Remove the mower from the shipping crate.
2. Remove top shield.
3. Install both left and right hitch arms as shown in Figure 7. Torque the 1/2" attaching bolts to 85 ft. lbs.

Serial Numbers:

75-70855: 1001-1493, 75-70860: 1001-4727, 75-70865: 1001-1969

Install the 1/2" locknut, which holds the two hitch arms together. Tighten and back off 1/2 turn. This allows some independent movement of the hitch arms.

Serial Numbers:

75-70855: 1494 & Up, 75-70860: 4728 & Up, 75-70865: 1970 & Up

Install the 1/2" nut and the 1/2" lockwasher, which holds the two hitch arms together. Torque to 85 ft. lbs.

4. Be sure that the mower main drive belt is installed correctly on all pulleys. Check spring-loaded idler arm position. Choose a mounting hole in the deck which allows the idler arm to lean toward the drive shaft, with the spring attached. Fasten spring to chain and idler arm as shown on Page 16.

Serial Numbers:

75-70855: 1001-1493, 75-70860: 1001-4727, 75-70865: 1001-1969

Choose a chain link that stretches spring to an overall length of 8-9 inches.

Serial Numbers:

75-70855: 1494 & Up, 75-70860: 4728 & Up, 75-70865: 1970 & Up

Choose a chain link that stretches spring approximately 1" on 75-70860 or 1-1/2" on 75-70855 & 75-70865.

5. Check bolts mounting spindles to the deck. Torque should be 35-40 ft. lbs.
6. Check blade bolts. Torque should be 75 - 85 ft. lbs.
7. Check 1/4" cap screws on pulley bushings (Figure 1, Item 9). Torque should be 95 inch pounds. Tighten these cap screws in alternating sequence 10-12 times to assure equal torque on all cap screws.
8. Reinstall the top shield.
9. Remove 1/2" locknut on height adjustment lever and position correctly as shown on Page 12. Replace locknut.
10. Remove the drive pulley shield and install the proper drive belt for the power unit. Replace shield.
11. Attach mower to power unit. See Page 11 for installation instructions. See Pages 6 & 7 for safety instructions and Page 12 for operating instructions.

ATTACHING MOWER TO TRACTOR:

- Operate latch control to open hitch latches.
- Drive tractor into position aligning the quick hitch.
- Be sure both latches engage fully and are placed in the locked position.
- **Stop engine!** Do not attempt to install drive belt with engine running.
- Release idler assembly to facilitate easy installation of the drive belt.
- Put belt over drive pulleys and engage or adjust idler assembly.
(See Power Unit Operator's Manual for PTO belt tension adjustments.)
- Set mower to desired cutting height.
- Start engine and engage PTO slowly to prevent shock load on mower components.
- Mow with front lift lever in "FLOAT" position only.

REAR WEIGHT REQUIREMENTS

The table of requirements for rear weights is based upon average mowing conditions and operator's weight of 150 lbs. The recommendations may vary with the weight of the operator, other accessories, and the mowing conditions. It is the operator's responsibility to determine the correct amount of weight needed to improve stability. All weights must be removed when the mower is removed. (See Caution in Power Unit Operator's manual.)

Power Unit Model	48" Deck	60" Deck	72" Deck
220/230	0 weights	0 weights	2 weights
410	2 weights	4 weights	This deck is not recommended
420/430	2 weights	4 weights	5 weights
425	2 weights	2 weights	4 weights
525	0 weights	0 weights	0 weights



Observe all safety decals.

Keep all shields in place. Do not operate mower with discharge chute removed.

Do not operate mower with other persons in the area. Irregularities in ground surface can permit foreign material to be propelled from beneath deck to cause serious injury or death.

Before leaving tractor, stop on a level surface, move Forward - Reverse control to neutral position, disengage PTO, set parking brake, lower mower deck and stop engine.

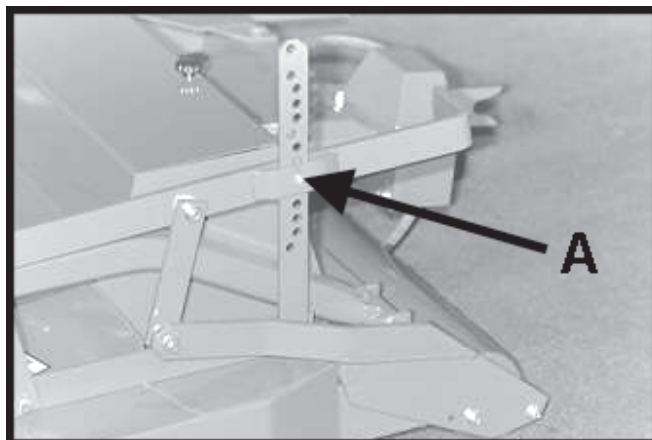
Remove key from ignition if maintenance procedures are to be performed or tractor is to be left unattended.

OPERATING INSTRUCTIONS

- Do not operate mower with discharge chute removed.
- Mow with front lift lever in "FLOAT" position only.
- Engage PTO slowly at low engine r.p.m.
- Mower is designed to operate at full throttle for mowing heavy turf, but 3/4 throttle is adequate for average conditions. Set mower blade speed with throttle and control ground speed with Forward - Reverse control.
- Use extreme caution when operating on hills. Mow up and down whenever possible.
- See Page 11 for weight recommendations.

SETTING MOWER CUTTING HEIGHT

- Lift mower deck off the ground and shut off tractor engine.
- Remove clevis pin at location **A** from height adjustment link.
- Raise or lower deck to desired height.
- Replace clevis pin into height adjustment link.



MAINTENANCE

Daily maintenance:

Visual inspection for loose parts and accumulation of grass and dirt.

Clean accumulation of grass clippings from beneath deck daily for better mowing performance.

Keep blades sharp. Check the tips of the blades for wear.

25 hour maintenance:

In addition to daily maintenance, grease roller and all bearings.

Spindle housings must be kept full of grease. Grease spindles until grease "shows" at the relief hole under the spindle drive pulley.

NOTE: The relief hole is under the spindle hub and is not visible. As grease enters the spindle housing you can hear the sound of escaping air at the relief hole. Stop greasing when the sound of escaping air ceases.

Check drive belt tension. See Drive Belt Installation on Page 16.

Check 1/4" cap screws on pulley bushings. Torque should be 95 inch pounds. Tighten these cap screws in alternating sequence 10-12 times to assure equal torque on all cap screws.

Check blade bolts. Torque should be 75-85 ft. lbs.

Annual Maintenance:

In addition to daily and 25 hour maintenance, remove the drive belt and check for cracks or wear. Rotate each spindle to check for roughness which would indicate bearing wear. Remove and sharpen blades, clean and wash deck prior to storage. The acid in grass clippings causes premature corrosion and rusting of mower parts.

Grease all bearings after washing.

ADJUSTMENTS**Sharpening blades**

Be careful while sharpening blades that the corners of the blade do not become rounded at the tips. This reduces the blades overlap and will cause skipping. While sharpening, it is essential to ensure the balance of the blades is maintained to prevent vibration. Blade bolt torque should be 75-85 ft. lbs. Rotate blades after re-installing to check for bent or bowed blades and blade alignment.

Blade alignment

When installing sharpened blades or new blades be sure the mating surfaces are clean and the retaining washer is not bent. Check for bent blades by rotating blades until tips are near each other. (It is easier to do this with main drive belt idler spring unhooked.)

Leveling mower deck

The front to rear leveling adjustment is provided by two slots in the linkage which supports the front of the deck. This allows each side to be adjusted independently. Check the blade level with mower resting on a level floor and the cutting height set at about 2-1/2" setting. Measure to the tip of the left blade at the rear, then rotate the blade 180 degrees and measure again to the tip of the blade at the front. The cutting height should be equal or 1/16" lower at the front. Change adjustment in the left slot as required and measure again until proper setting is reached. Repeat procedure for blade at right end of the deck and adjust right slot.

TO REMOVE BELT:

Serial Numbers:

75-70855 1001-1493

75-70860 1001-4727

75-70865 1001-1969

Remove top shield and the bolts which fasten the hitch arms to the deck brackets. No further disassembly is necessary.

Serial Numbers:

75-70855 1494 & Up

75-70860 4728 & Up

75-70865 1970 & Up

Remove the six 1/4" X 3/4" bolts from the flip-up braces and remove the pivot stop pin and the idler spring. Remove the braces.

- With the idler spring released, move the idler toward the drive shaft.
- Slip belt off the outer spindle pulleys.
- Slip belt off the front center idler and spindle.
- Remove belt.

TO INSTALL BELT:

- Form loop for drive pulley and idler pulley as shown. (Photos 2 & 3)
- Slip loop over drive pulley on left hitch arm. (Photos 2 & 3)
- Form a loop around the center spindle pulley and fixed idler pulley. (Photos 2 & 3)
- Position belt on the outer spindle pulleys. (Photos 2 & 3)

Serial Numbers:

75-70855 1001-1493

75-70860 1001-4727

75-70865 1001-1969

Re-install hitch arms and bushings in place .

Serial Numbers:

75-70855 1494 & Up

75-70860 4728 & Up

75-70865 1970 & Up

Re-install hitch arms and pivot braces. Torque 1/2" attaching bolts to 85 ft. lbs. (Photos 2 & 3)

Hook idler spring in place.

Serial Numbers:

75-70855 1001-1493

75-70860 1001-4727

75-70865 1001-1969

Choose chain link that stretches spring to an overall length of 8-9 inches.

Serial Numbers:

75-70855 1494 & Up

75-70860 4728 & Up

75-70865 1970 & Up

Choose chain link which stretches spring approximately one inch on 75-70860 or 1-1/2" on 75-70855 & 75-70865.

- Re-install top shield.

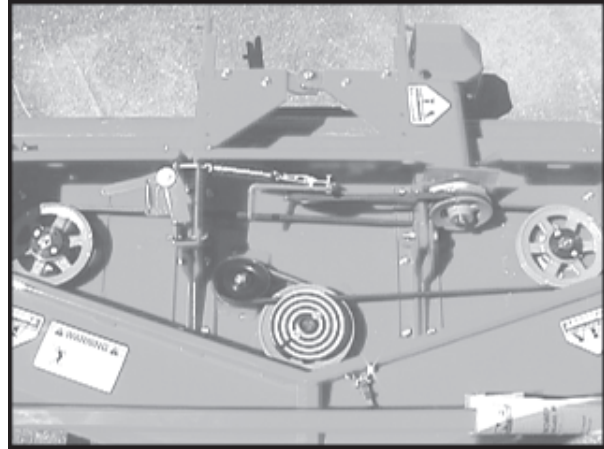


PHOTO 2

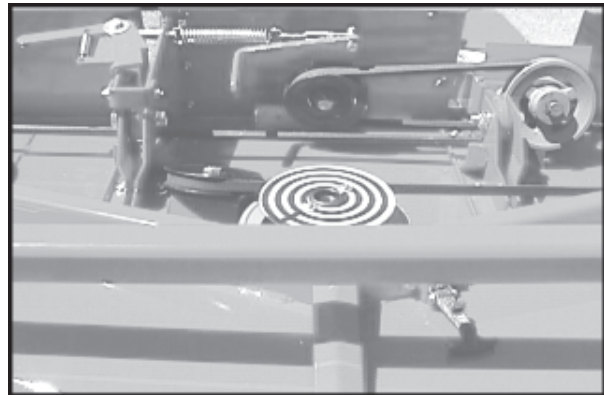


PHOTO 3

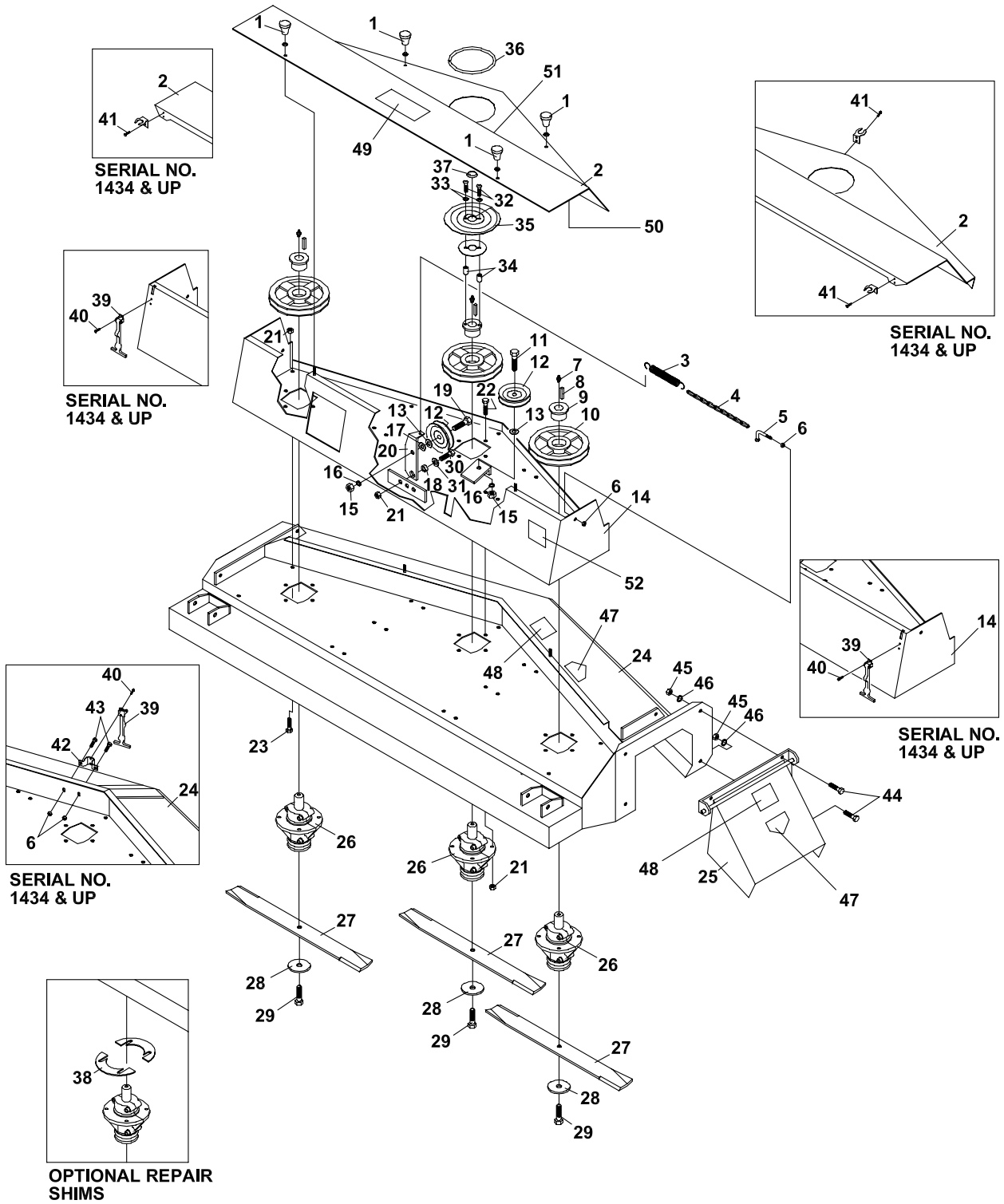
USING THE FLIP-UP OPTION ON THE 75-70855, 75-70860 AND 75-70865 ROTARY MOWERS

1. Stop on a level surface, set parking brake and shut off the tractor.
2. Lift the deck.
3. Remove the top deck shield and set aside.
4. Standing at the front of the deck, pull the handle on the idler arm so the belt comes loose.
5. Remove the belt from the drive pulley.
6. Remove the presto pin and slide pin from holes.
7. Grasp the handles and lift the deck up and back until you hear a click. This indicates that the latch has engaged.
8. Lower the deck until the roller touches the ground. This gives stability when working on the deck.
9. Complete your work under the deck.
10. Start the tractor and lift the deck again. Shut off the tractor.
11. Grasp the handles at the front of the deck. Push the deck back slightly and release the catch.
12. Pull the deck forward and down, keeping a firm grip on the handles.
13. Lower the deck to the ground.
14. Replace the pin and clip in the hole above the lift arm.
15. Grasp the idler arm handle again and pull to stretch the spring. Place the belt onto the drive pulley.
16. Make sure the belt is around all pulleys. Release the idler arm.
17. Replace the top shield and secure with the rubber latches.
18. Moving the power unit with the deck in the flipped up position is not recommended. Serious injury and or damage could result.

DECK PARTS 48"

ROTARY MOWER

FIGURE 1



ROTARY MOWER

DECK PARTS 48"

FIGURE 1

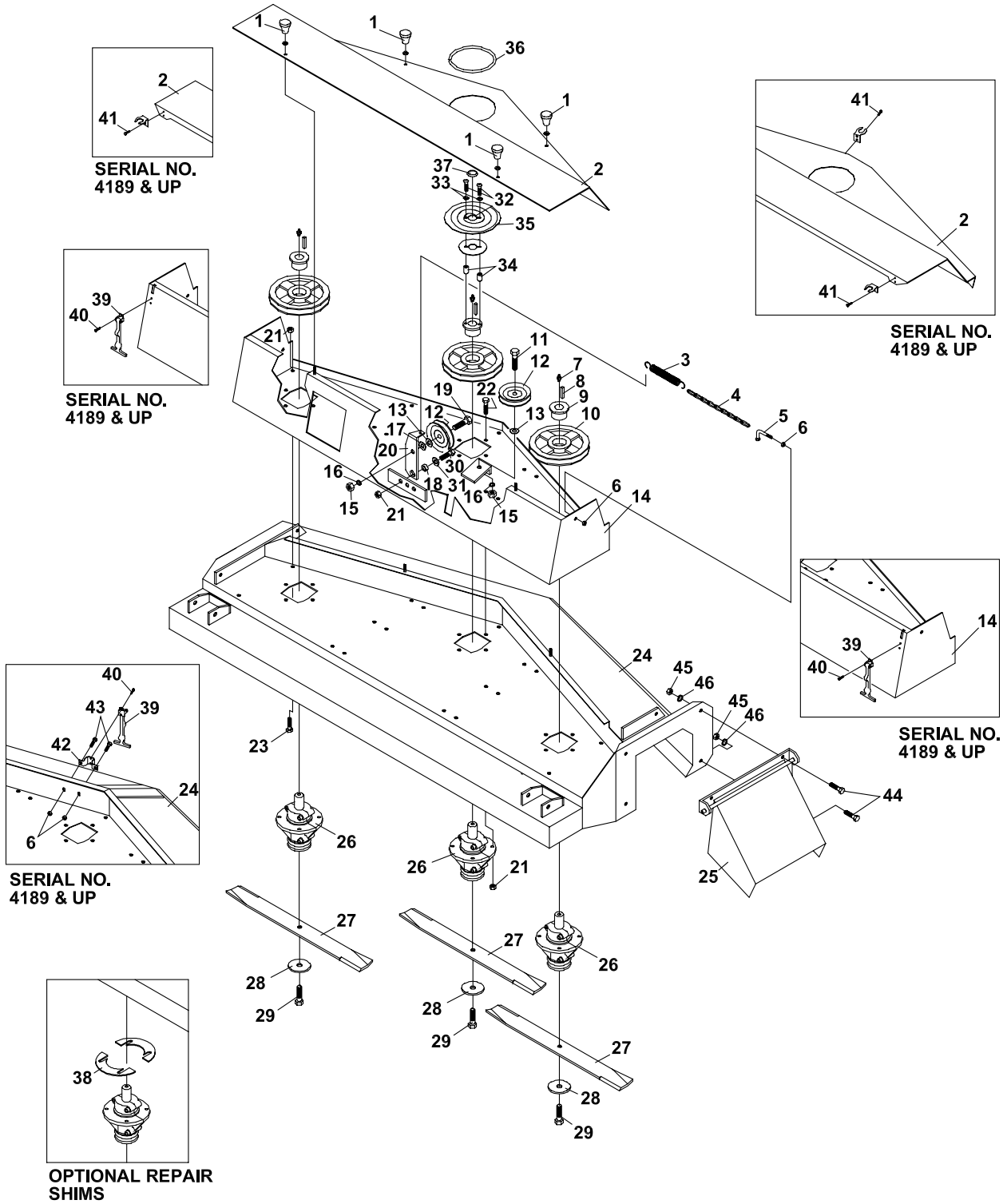
ITEM	PART NO.	DESCRIPTION	QTY	ITEM	PART NO.	DESCRIPTION	QTY
1-1	47-050	KNOB	4	1-30	64123-50	BOLT-HEX 3/8-16X1	1
	64002-04	LOCKWASHER, EXT. 5/16 (SN 1001 - 1433)	4	1-31	64-799	WASHER-13/32 X 1-9/32	1
1-2	60-535	SHIELD-TOP (SN 1001 - 1009)	1	1-32	99-K38	BOLT-1/4 X 1-1/4 BH (SN 1010 -)	2
	60-567	SHIELD-TOP DECK (SN 1010 - 1433)	1	1-33	64163-03	WSHR-.256IDX.62ODX18 (SN 1010 -)	2
	60-652	SHIELD-TOP DECK (SN 1434 -)	1	1-34	64-687.7	SPACER (SN 1010 -)	2
1-3	41-052	SPRING-EXT 0.875 X 6.750	1	1-35	00-137	DECAL-SPIRAL INDICATOR (SN 1010 -)	1
1-4	6107645	CHAIN, IDLER ARM STOP (SN 1001 - 1577)	1		60-568	SUPPORT (SN 1010 -)	1
1-5	64-534	HOOK-SPRING (SN 1001 - 1577)	1	1-36	56-059-17	TRIM-LOC-RUBBER 17" (SN 1010 -)	1
1-6	64141-2	NUT-WLF 1/4-20	4	1-37	06-010	CAP PLUG-1" (SN 1010 -)	1
1-7	29-010	GREASE FITTING-1/4	3	1-38	64-866	SHIM-SPINDLE 22 GA. (1 PAIR OPTIONAL)	1
1-8	64164-12	KEY-1/4X1/4X1 SQ END	3		64-867	SHIM-SPINDLE 16 GA. (1 PAIR OPTIONAL)	1
1-9	83-H16SPL	BUSHING-H X 1" SPLIT TYPE3	3		64-868	SHIM-SPINDLE 12 GA. (1 PAIR OPTIONAL)	1
1-10	83-BK50H	PULLEY-5" H1 BUSHING	3	1-39	47-090	LATCH-RUBBER 3" LONG (SN 1434 -)	3
1-11	64123-117	BOLT-HEX 1/2-13X1-1/2	1	1-40	04-008	POP RIVET-1/8 X 1/4 SS (SN 1434 -)	6
1-12	83-012	IDLER-"V" 1/2" ID X 4-1/2" OD2	2	1-41	04-007	POP RIVET-1/8 X 1/8 SS (SN 1434 -)	6
1-13	99-B12	WASHER-1/4 X 17/32 X 1-1/8 2	2	1-42	64-900.7	BRKT-TOP SHIELD LATCH (SN 1434 -)	1
1-14	62-723	DECK-TOP (SN 1001 - 1433)	1	1-43	64139-02	BLT-WLF 1/4-20X1/2 (SN 1434 -)	2
	62-843	DECK-TOP (SN 1434 - 1577)	1	1-44	64123-15	BOLT-3/8-16X3/4	3
	62-872	UPR DK WLDMT (SN 1578 -)	1	1-45	64025-05	NUT-3/8-16	3
1-15	64025-09	HEX, NUT 1/2-13	2	1-46	64006-03	LOCKWASHER-3/8	3
1-16	64006-05	LOCKWSHR-HELICAL 1/2	2	1-47	00-092	DECAL-HANDS & FEET	2
1-17	64163-67	WASHER-.516X1X12GA	1	1-48	00-139	DECAL-WARNING	2
1-18	85-B29	BUSHING-.406 X .740 X .258	1	1-49	00-138	DECAL-DANGER	1
1-19	90-0814	BOLT-1/2 X 1-3/4	1	1-50	00-129	DECAL-BELT INSTALL (LOCATED UNDERNEATH TOP SHIELD)	1
1-20	40-290	IDLER ARM (SN 1001 - 1577)	1	1-51	4128363	DECAL-STEINER LOGO	1
	40-329.7	IDLER ARM (SN 1578 -)	1	1-52	00-140	DECAL-ANSI CERT.	1
1-21	64141-4	NUT-WLF 3/8-16	18	1-53*	00-093	DECAL	1
1-22	64139-18	BLT-WLF 3/8-16X1-1/4	12	1-54*	4112761	LABEL-MADE IN USA	1
1-23	64139-21	BLT-WLF 3/8-16X3/4	5				
1-24	62-716	DECK-MOWER (SN 1001 - 1433)	1				
	62-844	DECK-MOWER (SN 1434 -)	1				
1-25	60-534	CHUTE-SIDE DISCHARGE	1				
1-26	87-143	SPINDLE	3				
1-27	79-062	BLADE-16-1/4" .700 AIR LIFT	3				
	79-064	BLADE-16-1/4" 1-3/8 AIR LIFT (OPTIONAL)	3				
1-28	99-B14	WASHER-1/4 X 1/2 ID X 3 OD	3				
1-29	91-0810	BOLT-1/2 X 1-1/4 NF	3				

* NOT ILLUSTRATED

DECK PARTS 60"

ROTARY MOWER

FIGURE 2



ROTARY MOWER

DECK PARTS 60"

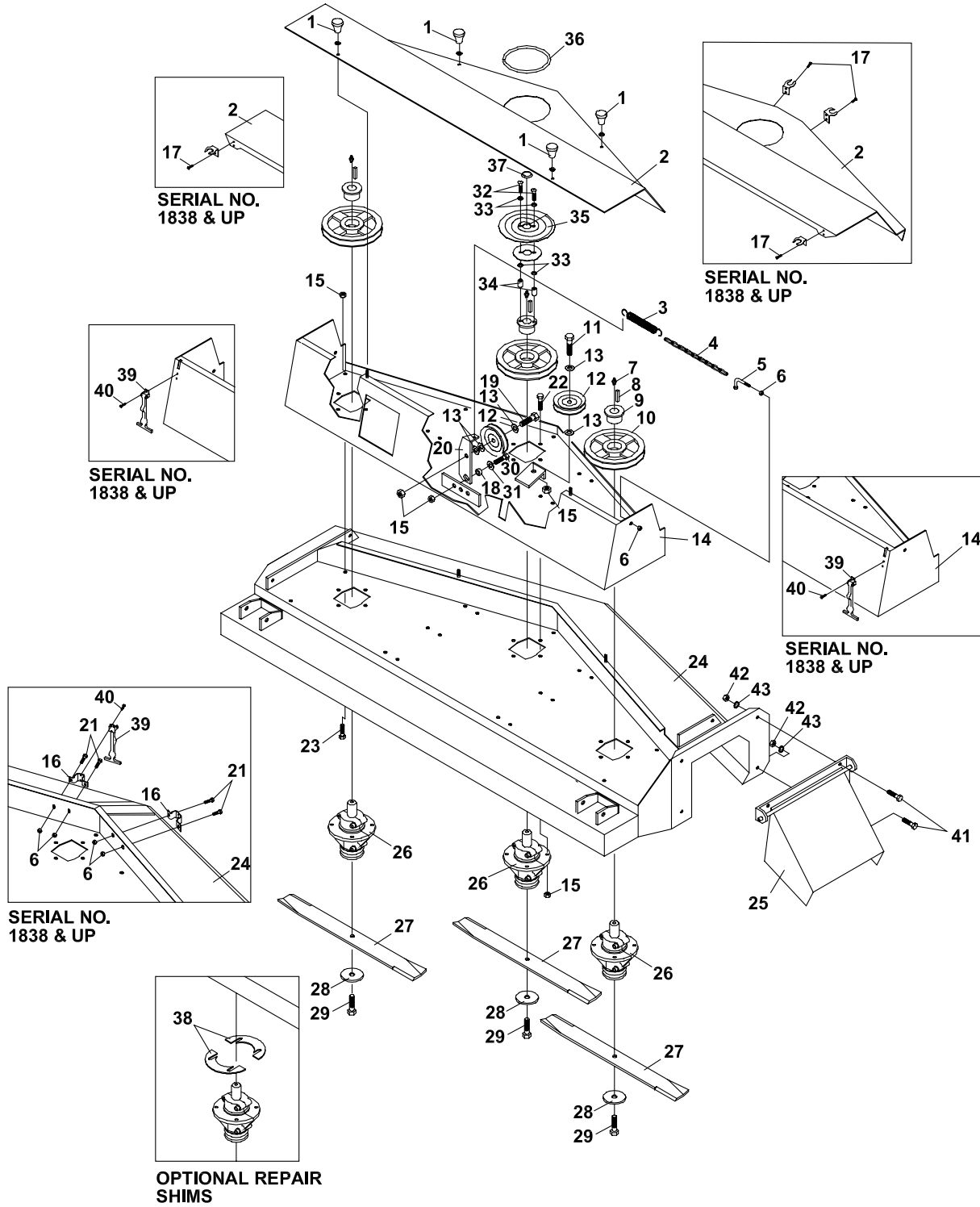
FIGURE 2

ITEM	PART NO.	DESCRIPTION	QTY	ITEM	PART NO.	DESCRIPTION	QTY
2-1	47-050	KNOB	4	2-25	62-696.17	CHUTE-SIDE DISCHARGE	1
	64002-04	LOCKWASHER, EXT. 5/16 (SN 1001 - 4188)	4	2-26	87-143	SPINDLE-MOWER	3
2-2	60-526	SHIELD-TOP DECK (SN 1001 - 1224)	1	2-27	79-050	BLADE-20-1/2" .700 AIR LIFT	3
	60-544	SHIELD-TOP DECK (SN 1225 - 4188)	1		79-053	BLADE-20-1/2" 1-3/8 AIR LIFT	3
	4133299.17	SHIELD-TOP DECK (SN 4189 -)	1	2-28	99-B14	WASHER-1/4 X 1/2 ID X 3 OD	3
2-3	41-052	SPRING-EXT 0.875 X 6.750	1	2-29	91-0810	BOLT-1/2 X 1-1/4 NF	3
2-4	6107645	CHAIN, IDLER ARM STOP (SN 1001 - 1577)	1	2-30	64123-50	BOLT-HEX 3/8-16X1	1
2-5	64-534	HOOK-SPRING (SN 1001 - 1577)	1	2-31	64-799	WASHER-13/32 X 1-9/32	1
2-6	64141-2	NUT-WLF 1/4-20	4	2-32	99-K38	BOLT-1/4 X 1-1/4 BH (SN 1225 -)	2
2-7	29-010	GREASE FITTING-1/4	3	2-33	64163-03	WSHR-.256IDX.62ODX18 (SN 1225 -)	2
2-8	64164-12	KEY-1/4X1/4X1 SQ END	3	2-34	64-687.7	SPACER (SN 1010 -)	2
2-9	83-H16SPL	BUSHING-H X 1" SPLIT TYPE	3	2-35	00-137	DECAL-SPIRAL INDICATOR (SN 1225 -)	1
2-10	83-BK72H	SHEAVE- BK72H	3		60-568.7	SUPPORT	1
2-11	64123-117	BOLT-HEX 1/2-13X1-1/2	1	2-36	56-059-17	TRIM-LOC-RUBBER 17" (SN 1225 -)	1
2-12	83-012	IDLER-"V" 1/2" ID X 4-1/2" OD	2	2-37	06-010	CAP PLUG-1" (SN 1225 -)	1
2-13	99-B12	WASHER-1/4 X 17/32 X 1-1/8	2	2-38	64-866	SHIM-SPINDLE 22 GA. (1 PAIR OPTIONAL)	1
2-14	62-700	DECK-TOP (SN 1001 - 1194)	1		64-867	SHIM-SPINDLE 16 GA. (1 PAIR OPTIONAL)	1
	62-729	DECK-TOP (SN 1195 - 4188)	1		64-868	SHIM-SPINDLE 12 GA. (1 PAIR OPTIONAL)	1
	62-835	DECK-TOP (SN 4189 - 5456)	1	2-39	47-090	LATCH-RUBBER 3" LONG (SN 4189 -)	3
	62-868.7	UPR DK WLDMT (SN 5457 -)	1	2-40	04-008	POP RIVET-1/8 X 1/4 SS (SN 4189 -)	6
2-15	64025-09	HEX, NUT 1/2-13	2	2-41	04-007	POP RIVET-1/8 X 1/8 SS (SN 4189 -)	6
2-16	64006-05	LOCKWSHR-HELICAL 1/2	2	2-42	64-900.7	BRCKT-TOP SHIELD LATCH (SN 4189 -)	1
2-17	64163-67	WASHER-.516X1X12GA	1	2-43	64139-02	BLT-WLF 1/4-20X1/2 (SN 4189 -)	2
2-18	85-B29	BUSHING-.406 X .740 X .258	1	2-44	64123-15	BOLT-3/8-16 X 3/4	3
2-19	90-0814	BOLT-1/2 X 1-3/4	1	2-45	64025-05	NUT-3/8-16	3
2-20	40-289	IDLER ARM (SN 1001 - 1194)	1	2-46	64006-03	LOCKWASHER-3/8	3
	40-290	IDLER ARM (SN 1195 - 5456)	1				
	40-329.7	IDLER ARM (SN 5457 -)	1				
2-21	64141-4	NUT-WLF 3/8-16	18				
2-22	64139-18	BLT-WLF 3/8-16X1-1/4	12				
2-23	64139-21	BLT-WLF 3/8-16X3/4	5				
2-24	62-694	DECK-MAIN (SN 1001 - 1194)	1				
	62-727	DECK-MAIN (SN 1195 - 4188)	1				
	62-834.17	DECK-MAIN (SN 4189 -)	1				

DECK PARTS 72"

ROTARY MOWER

FIGURE 3



ROTARY MOWER

DECK PARTS 72"

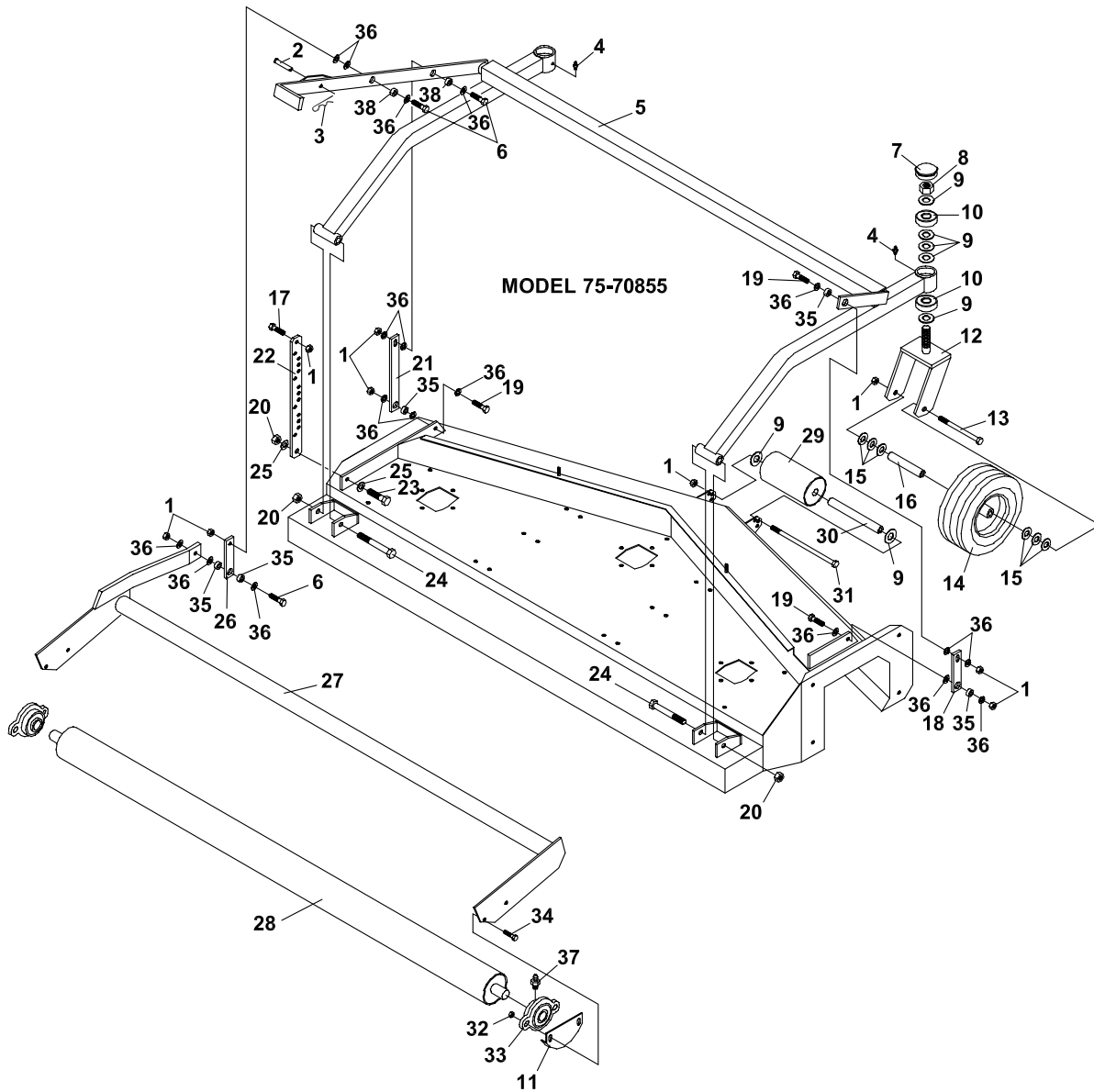
FIGURE 3

ITEM	PART NO.	DESCRIPTION	QTY	ITEM	PART NO.	DESCRIPTION	QTY
3-1	47-050	KNOB	4	3-27	79-068	BLADE-24-3/4" .700 AIR LIFT	3
	64002-04	LOCKWASHER, EXT. 5/16 (SN 1001 - 1837)	4		79-069	BLADE-24-3/4" 1-3/8 AIR LIFT (OPTIONAL)	3
3-2	60-540.17	SHIELD-TOP DECK (SN 1001 - 1016)	1	3-28	99-B14	WASHER-1/4X1/2IDX3OD	3
	60-545.17	SHIELD-TOP DECK (SN 1017 - 1837)	1	3-29	91-0810	BOLT-1/2 X 1-1/4 NF	3
	4133301.17	SHIELD-TOP DECK (SN 1838 -)	1	3-30	64123-50	BOLT-HEX 3/8-16X1	1
3-3	41-051	SPRING-EXT 1.0 X 6.750	1	3-31	64-799	WASHER-13/32 X 1-9/32	1
3-4	56-055-22	CHAIN-IDLER (SN 1001 - 2301)	1	3-32	99-K39	BOLT-1/4 X 1-1/2 BH (SN 1017 -)	2
3-5	64-534	HOOK-SPRING (SN 1001 - 2301)	1	3-33	453023	FLATWASHER, 1/4 (SN 1017 -)	4
3-6	64141-2	NUT-WLF 1/4-20	4	3-34	64-688.7	SPACER (SN 1017 -)	2
3-7	29-010	GREASE FITTING-1/4	3	3-35	00-137	DECAL-SPIRAL INDICATOR (SN 1017 -)	1
3-8	64164-12	KEY-1/4X1/4X1 SQ END	3		60-568.7	SUPPORT (SN 1010 -)	1
3-9	83-H16SPL	BUSHING-H X 1" SPLIT TYPE	3	3-36	56-059-17	TRIM-LOC-RUBBER 17" (SN 1017 -)	1
3-10	83-BK80H	PULLEY- BK80H	3	3-37	06-010	CAP PLUG-1" (SN 1017 -)	1
3-11	64123-70	BOLT-HEX 3/8-16X1-1/2	1	3-38	64-866	SHIM-SPINDLE 22 GA. (1 PAIR OPTIONAL)	1
3-12	83-034	IDLER-"V" 3/8" ID X 5" OD	2		64-867	SHIM-SPINDLE 16 GA. (1 PAIR OPTIONAL)	1
3-13	64163-61	WSHR .81X.406X16GA	5		64-868	SHIM-SPINDLE 12 GA. (1 PAIR OPTIONAL)	1
3-14	62-733	DECK-TOP (SN 1001 - 1837)	1	3-39	47-090	LATCH-RUBBER 3" LONG (SN 1838 -)	3
	62-840.7	DECK-TOP (SN 1838 - 2301)	1	3-40	04-007	POP RIVET, 1/8 X 1/4 SS (SN 1838 -)	6
	62-873.7	UPR DK WLDMT (SN 2302 -)	1	3-41	64123-15	BOLT-3/8-16 X 3/4	3
3-15	64141-4	NUT-WLF 3/8-16	22	3-42	64025-05	NUT-3/8-16	3
3-16	64-900	BRKT-TOP SHIELD LATCH (SN 1838 -)	2	3-43	64006-03	LOCKWASHER-3/8	3
3-17	04-007	POP RIVET-1/8 X 18 SS (SN 1838 -)	8				
3-18	85-B29	BUSHING-.406X.740X.258	1				
3-19	64123-87	BOLT-HEX 3/8-16X1-3/4	1				
3-20	40-292	IDLER ARM (SN 1001 - 2301)	1				
	40-329	IDLER ARM (SN 2302 -)	1				
3-21	64139-02	BLT-WLF 1/4-20X1/2 (SN 1838 -)	4				
3-22	64139-18	BLT-WLF 3/8-16X1-1/4	12				
3-23	64139-21	BLT-WLF 3/8-16X3/4	7				
3-24	62-730.17	DECK-MOWER (SN 1001 - 1837)	1				
	62-841.17	DECK-MOWER (SN 1838 -)	1				
3-25	60-54117	CHUTE-SIDE DISCHARGE	1				
3-26	87-143	SPINDLE	3				

FRAME PARTS 48"

ROTARY MOWER

FIGURE 4



ROTARY MOWER

FRAME PARTS 48"

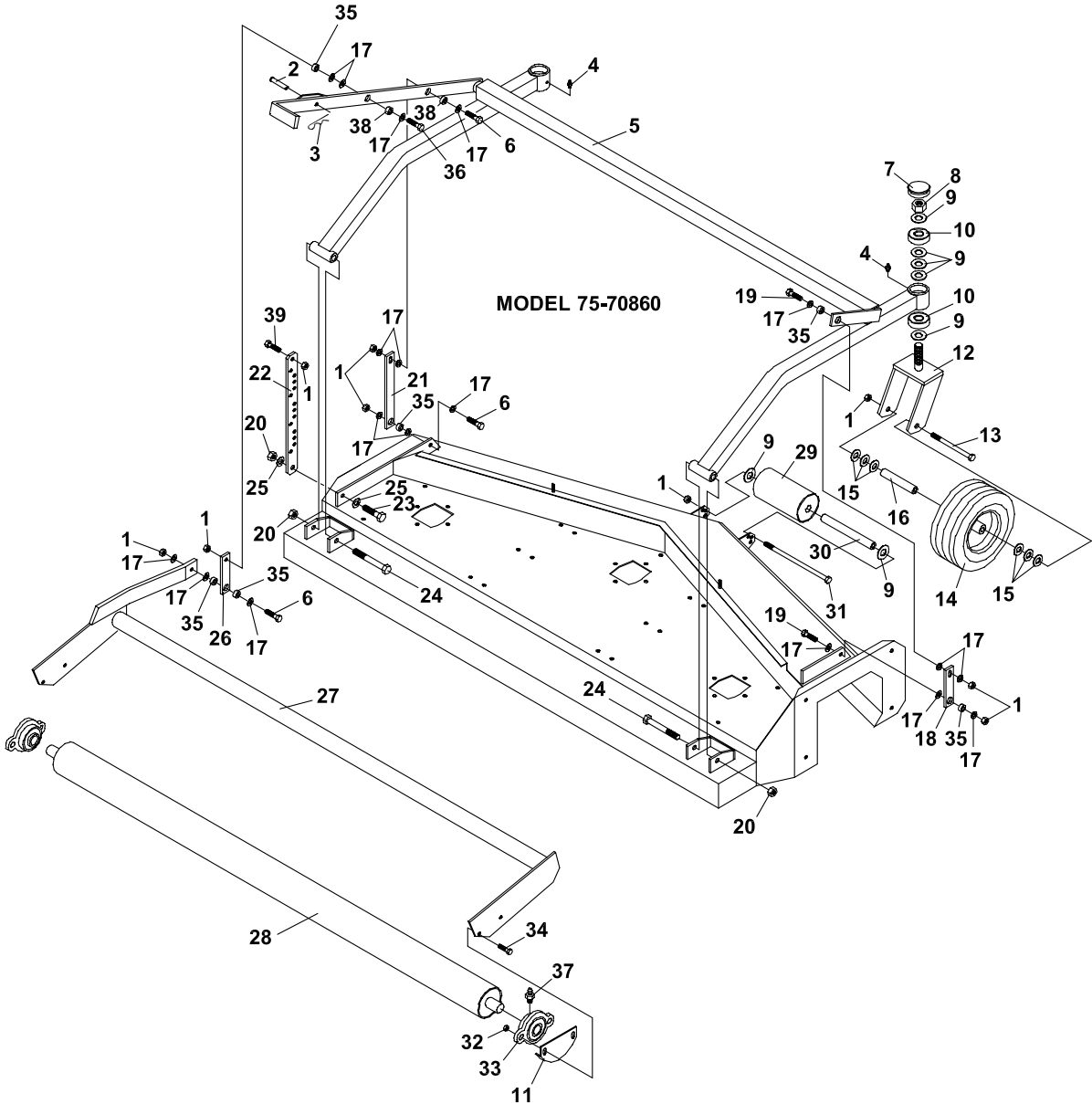
FIGURE 4

ITEM	PART NO.	DESCRIPTION	QTY	ITEM	PART NO.	DESCRIPTION	QTY
4-1	64141-4	NUT-WLF 3/8-16	13	4-28	50-078.7	ROLLER-REAR	1
4-2	03-0610	CLEVIS PIN-3/8 X 1-1/4	1	4-29	50-105	ROLLER-FRONT	1
4-3	02-PP0318	PRESTO PIN-3/32 X 2-5/16	1		85-B11	BEARING-3/4" WOOD RLR	2
4-4	29-010	GREASE FITTING-1/4	2				
4-5	62-725.7	FRAME-HEIGHT ADJ	1	4-30	50-074	AXLE-ANTI SCALP ROLLER	1
4-6	64123-70	BOLT-HEX 3/8-16X1-1/2	5	4-31	64123-219	BOLT-HEX 3/8-16X6	1
4-7	53-060	HUB CAP-FOR MOWER	2	4-32	64141-6	NUT, 5/16-18	4
4-8	99-AC12NF	LOCKNUT-CENTER 3/4 NF	2	4-33	55-FB16016	BEARING-160 FLANGE 1"	2
4-9	64163-06	WASHER-.768/.756X1.25X14	12	4-34	64018-15	BLT-CRG 5/16-18X1	4
4-10	55-Z9504AB	BALL BEARING-3/4 ID	4		90-0510	BOLT-5/16 X 1-1/4	4
4-11	64-807	SPACER	2		(SN 1001 - 1118)		
		(SN 1001 -11310)			99-K62	BOLT-FLANGE 5/16 X 1-1/4	4
	64-845.7	SHIELD-BEARING	2		(SN 1578 -)		
		(SN 1311 -)					
4-12	4132783.7	CASTER, MOWER	2	4-35	64-663	BUSHING-ADJUSTER LINK	5
4-13	64123-93	BLT-HEX 3/8-16X5	2	4-36	64-799	WASHER-13/32 X 1-9/32	18
4-14	53-104	WHEEL-CASTER	2	4-37	29-045	GREASE FITTING-1/4	45 1
		(SN 1001 - 1711)		4-38	64-662	BUSHING-ADJUSTER LINK	2
	55-G527	BEARING-BALL	2				
	55-107	BEARING-5/8 ID X 1-3/8 OD	2				
		(OPT HD)					
	53-186	WHEEL-10.25 X 3.25	2				
		(SN 1712 -)					
	55-112	BRG-ROLLER 5/8 ID X 1-3/8	1				
	53-187	RETAINER	2				
4-15	64163-16	WASHER-41/64X1, 3/8X12GA	12				
4-16	50-062	AXLE TUBE-CASTER WHL	2				
4-17	64139-21	BLT-WLF 3/8-16X3/4	1				
4-18	42-440.7	LINK-RIGHT LIFT	1				
4-19	64123-16	BLT-HEX 3/8-16X1-1/4	3				
4-20	64229-05	LOCKNUT, 1/2-13 NYLON	3				
4-21	42-445.7	LINK-LEFT FRONT	1				
4-22	42-443.7	LINK-HEIGHT ADJUSTMENT	1				
4-23	64123-117	BOLT-HEX 1/2-13X1-1/2	1				
4-24	90-0832	BOLT-1/2-13 X 4	2				
4-25	64163-67	WASHER-.516X1X12GA	2				
4-26	42-442	LINK-MIDDLE	1				
4-27	62-724	FRAME-REAR ROLLER	1				
		(SN 1001 - 1577)					
	62-869.7	FRAME-REAR ROLLER	1				
		(SN 1578 -)					

FRAME PARTS 60"

ROTARY MOWER

FIGURE 5



ROTARY MOWER

FRAME PARTS 60"

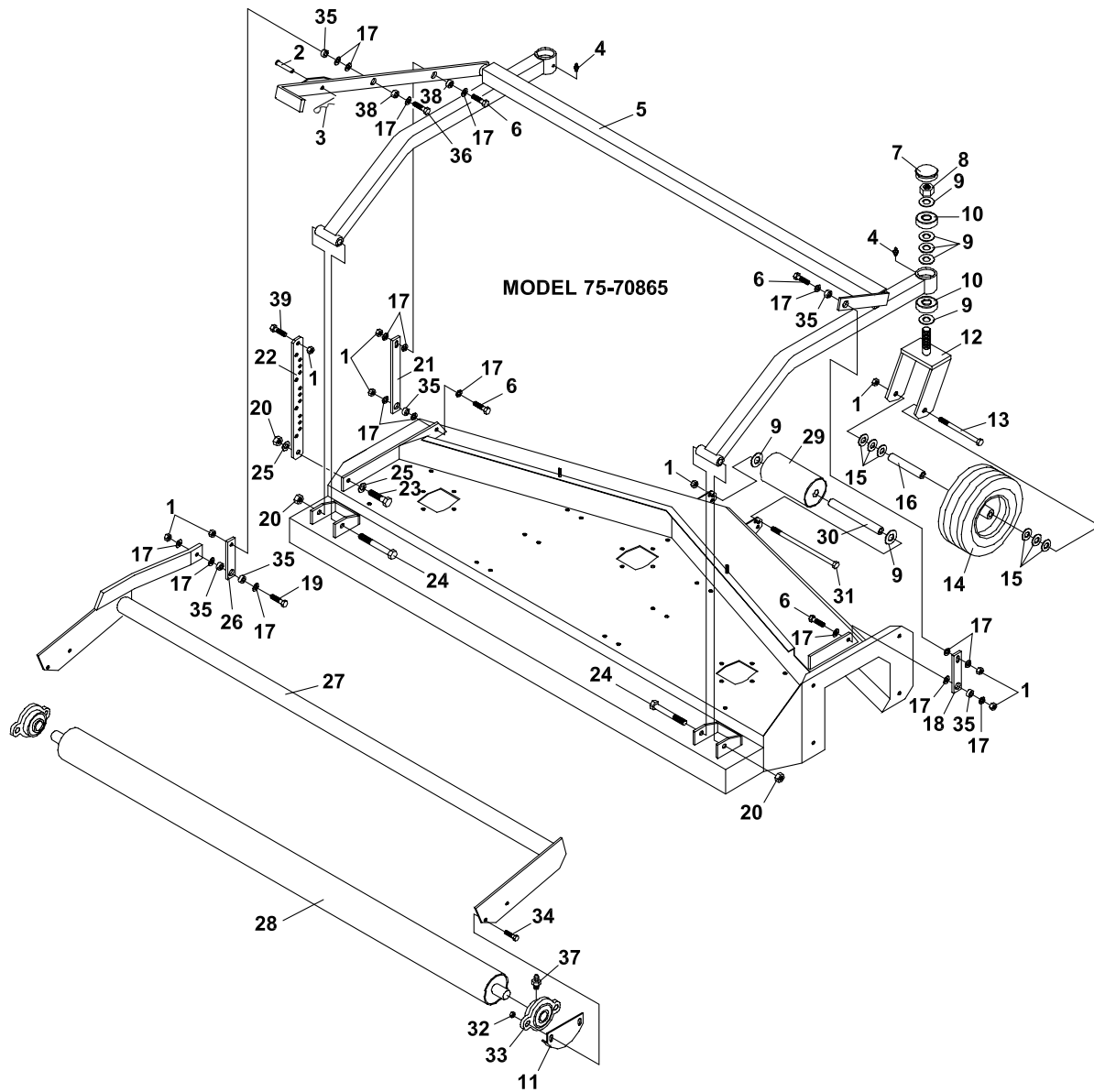
FIGURE 5

ITEM	PART NO.	DESCRIPTION	QTY	ITEM	PART NO.	DESCRIPTION	QTY
5-1	64141-4	NUT-WLF 3/8-16	10	5-23	64123-117	BOLT-HEX 1/2-13X1-1/2	1
5-2	03-0610	CLEVIS PIN-3/8 X 1-1/4	1	5-24	90-0832	BOLT-1/2 X 4	2
5-3	02-PP0318	PRESTO PIN-3/32 X 2-5/16	1	5-25	64163-67	WASHER-.516X1X12GA	2
5-4	29-010	GREASE FITTING-1/4	2	5-26	42-429	LINK-MID LEFT	1
5-5	62-695	FRAME-TUBE	1		(SN 1001 - 1194)		
	(SN 1001 - 1194)				42-446.7	LINK-MID LIFT	1
	62-726.7	FRAME-TUBE	1		(SN 1195 -)		
	(SN 1195 -)			5-27	62-697	FRAME-ROLLER	1
5-6	64123-70	BOLT-HEX 3/8-16X1-1/2	3		(SN 1001 - 1194)		
5-7	53-060	HUB CAP-FOR MOWER	2		62-728	FRAME-REAR ROLLER	1
5-8	99-AC12NF	FLOCKNUT-CENTER 3/4 NF	2		(SN 1195 - 5456)		
5-9	64163-06	WASHER-.768/.756X1.25X14	12		62-870.7	FRAME-REAR ROLLER	1
5-10	55-Z9504AB	BALL BEARING-3/4 ID	4		(SN 5457 -)		
5-11	64-807	SPACER	2	5-28	50-067	ROLLER-REAR	1
	(SN 1001 - 3246)				(SN 1001 - 1194)		
	64-845	SHIELD-BEARING	2		50-079.7	ROLLER-REAR	1
	(SN 3247 -)				(SN 1195 -)		
5-12	4132783.7	CASTER, MOWER	2	5-29	50-105	ROLLER-FRONT	1
5-13	90-0640	BOLT,3/8-16 X 5	2		85-B11	BEARING-3/4" WOOD RLR	2
5-14	53-104	WHEEL-10.25X3.25 CASTER	2				
	(SN 1001 - 6813)			5-30	50-074	AXLE-ANTI SCALP ROLLER	1
	55-G527	BRG-BALL F/53-104 WHL	2	5-31	64123-219	BOLT-HEX 3/8-16X6	1
	55-107	BEARING-5/8 ID X 1-3/8 OD	2	5-32	64141-6	NUT, 5/16-18	4
	OPT HD)			5-33	55-FB16016	BEARING-160 FLANGE 1"	2
	53-186	WHEEL-10.25X3.25 CASTER	2	5-34	64018-15	BLT-CRG 5/16-18X1	4
	(SN 6814 -)				(SN 1001 - 2010)		
	55-112	BRG-ROLLER 5/8 ID X 1-3/8	1		64123-47	BLT-HEX 5/16-18X1-1/4	4
	53-187	RETAINER-FLANGED	2		(SN 2011 - 5456)		
5-15	64163-16	WASHER-41/64X1, 3/8X12GA	12		99-K62	BOLT-FLANGE 5/16 X 1-1/4	4
5-16	50-062	AXLE TUBE-CASTER WHL	2		(SN 5457 -)		
5-17	64-799	WASHER-13/32 X 1-9/32	18		99-K62	BOLT-FLANGE 5/16 X 1-1/4	4
5-18	42-428	LINK-RIGHT	1		(SN 1578 -)		
	(SN 1001 - 1194)			5-35	64-663	BUSHING-ADJ LINK THIN	6
	42-444.7	LINK-RIGHT	1		(SN 1195 -)		
	(SN 1195 -)			5-36	64123-87	BOLT-HEX 3/8-16X1-3/4	1
5-19	64123-16	BLT-HEX 3/8-16X1-1/4	3	5-37	29-045	GREASE FITTING-1/4 45	1
5-20	64229-05	LOCKNUT, 1/2-13 NYLON	3	5-38	64-662	BUSHING-ADJ LINK THICK	2
5-21	42-427	LINK-LEFT FRONT	1		(SN 1195 -)		
	(SN 1001 - 1194)			5-39	64139-21	BLT-WLF 3/8-16X3/4	1
	42-445.7	LINK-LEFT FRONT	1				
	(SN 1195 -)						
5-22	42-430	LINK-HEIGHT ADJUST	1				
	(SN 1001 - 1194)						
	42-447.7	LINK-HEIGHT ADJUST	1				
	(SN 1195 -)						

FRAME PARTS 72"

ROTARY MOWER

FIGURE 6



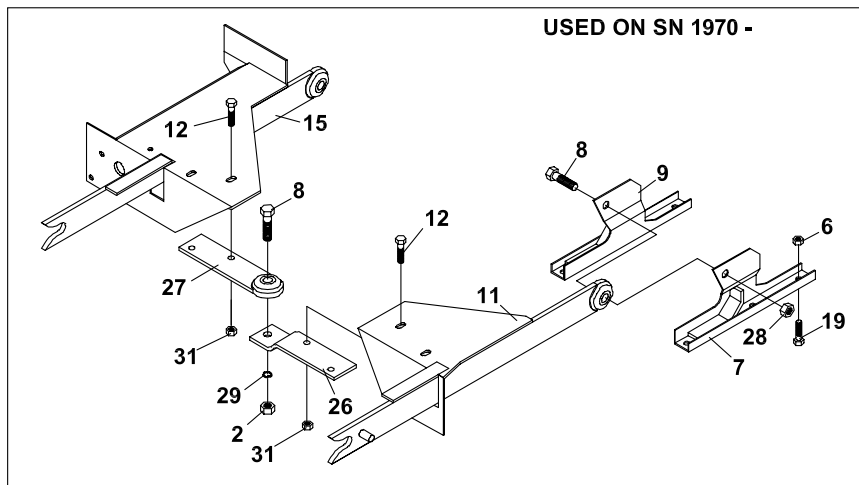
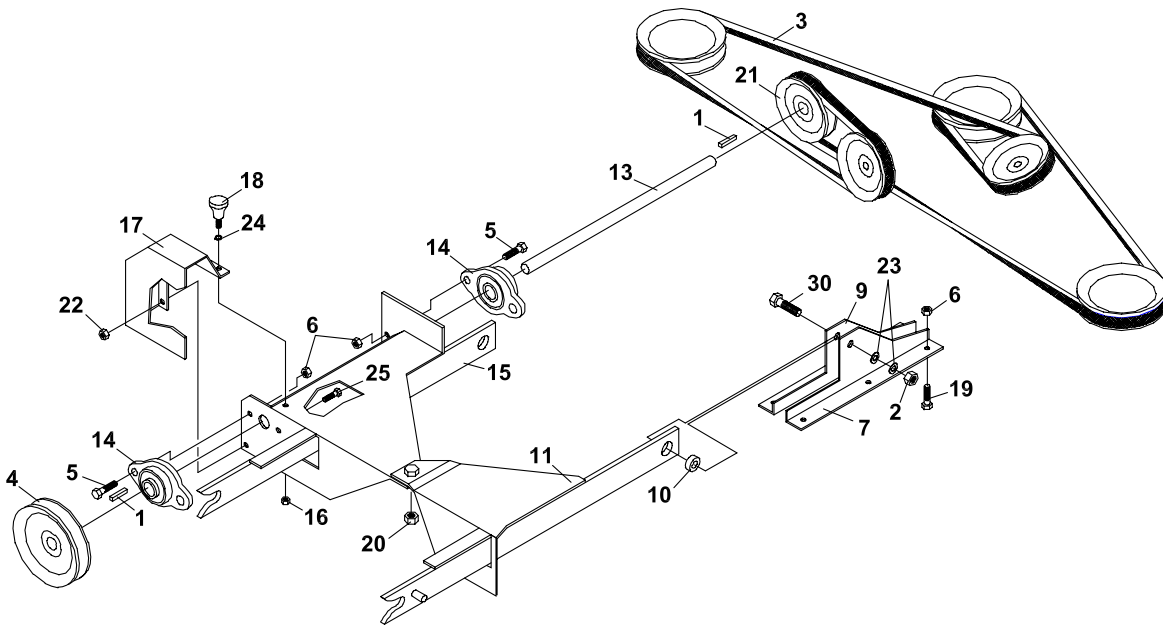
ROTARY MOWER

FRAME PARTS 72"

FIGURE 6

ITEM	PART NO.	DESCRIPTION	QTY	ITEM	PART NO.	DESCRIPTION	QTY
6-1	64141-4	NUT-WLF 3/8-16	10	6-30	50-074	AXLE-ANTI SCALP ROLLER	1
6-2	03-0610	CLEVIS PIN-3/8 X 1-1/4	1	6-31	64123-219	BOLT-HEX 3/8-16X6	1
6-3	02-PP0318	PRESTO PIN-3/32 X 2-5/16	1	6-32	64141-6	NUT, 5/16-18	4
6-4	29-010	GREASE FITTING-1/4	2	6-33	55-FB16016	BEARING-160 FLANGE 1"	2
6-5	62-731.7	FRAME-TUBE	1	6-34	64018-15	BLT-CRG 5/16-18X1	4
6-6	99-K75	BOLT-HEX 3/8-16X1-1/2	4		(SN 1001 - 1285)		
6-7	53-060	HUB CAP-FOR MOWER	2		64123-47	BLT-HEX 5/16-18X1-1/4	4
6-8	99-AC12NF	FLOCKNUT-CENTER 3/4 NF	2		(SN 1286 - 2301)		
6-9	64163-06	WASHER-.768/.756X1.25X14	12		99-K62	BOLT-FLANGE 5/16 X 1-1/4	4
6-10	55-Z9504AB	BALL BEARING-3/4 ID	4		(SN 2302 -)		
6-11	64-807.7	SPACER	2				
		(SN 1001 - 3246)		6-35	64-663	BUSHING-ADJ LINK THIN	6
	64-845.7	SHIELD-BEARING	2	6-36	64123-87	BOLT-HEX 3/8-16X1-3/4	1
		(SN 3247 -)		6-37	29-045	GREASE FITTING-1/4 45	1
6-12	4132783.7	CASTER, MOWER	2	6-38	64-662	BUSHING-ADJ LINK THICK	2
6-13	90-0640	BLT-HEX 3/8-16X5	2		(SN 1195 -)		
6-14	53-104	WHEEL-10.25 X 3.25	2	6-39	64139-21	BLT-WLF 3/8-16X3/4	1
		(SN 1001 - 2882)					
	55-G527	BEARING-BALL	2				
	55-107	BEARING-5/8 ID X 1-3/8 OD	2				
		(OPT HD)					
	53-186	WHEEL-10.25 X 3.25	2				
		(SN 2883 -)					
	55-112	BRG-ROLLER 5/8IDX1-3/8	1				
	53-187	RETAINER-FLANGED	2				
6-15	64163-16	WASHER-41/64X1, 3/8X12GA	12				
6-16	50-062	AXLE TUBE-CASTER WHL	2				
6-17	64-799	WASHER-13/32 X 1-9/32	18				
6-18	42-444.7	LINK-MIDDLE RIGHT	1				
6-19	64123-87	BOLT-HEX 3/8-16X1-3/4	1				
6-20	64229-05	LOCKNUT, 1/2-13 NYLON	3				
6-21	42-449.7	LINK-HEIGHT ADJT FRT LFT	1				
6-22	42-452.7	LINK-HEIGHT SELECTOR	1				
6-23	64123-117	BOLT-HEX 1/2-13X1-1/2	1				
6-24	90-0832	BOLT-1/2 X 4	2				
6-25	64163-67	WASHER-.516X1X12GA	2				
6-26	42-451.7	LINK-MID LIFT	1				
6-27	62-732	FRAME-ROLLER	1				
		(SN 1001 - 2301)					
	62-871.7	FRAME-REAR ROLLER	1				
		(SN 2302 -)					
6-28	50-080.7	ROLLER-REAR	1				
6-29	50-105	ROLLER-FRONT	1				
	85-B11	BEARING-3/4" WOOD RLR	2				

FIGURE 7



ROTARY MOWER

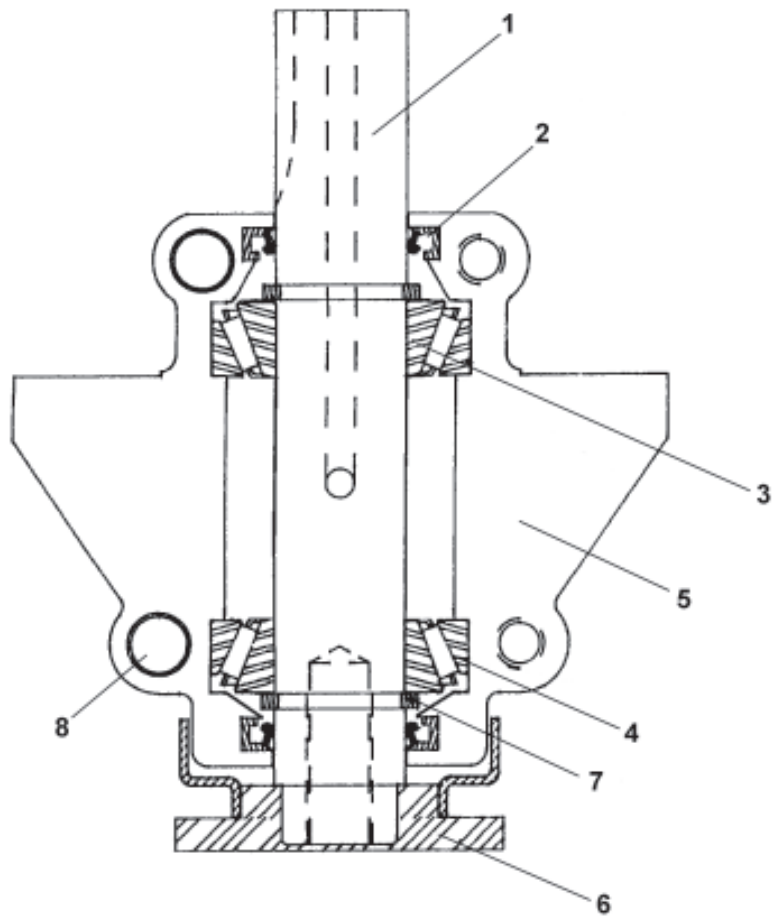
HITCH & DRIVE PARTS

FIGURE 7

ITEM	PART NO.	DESCRIPTION	QTY	ITEM	PART NO.	DESCRIPTION	QTY
7-1	64164-11	KEY-3/16X3/16X1-1/4 SQ	2	7-18	64139-08	BOLT-5/16-18X3/4 WLF	2
7-2	64229-05	LOCKNUT, 1/2-13 NYLON	3		47-077	KNOB-SM CLMPNG W/STUD	1
	64141-13	NUT WLF 1/2-13	1				
7-3	81-A128	BELT-48"	1	7-19	64139-21	BLT-WLF 3/8-16X3/4	12
	81-A158	BELT-60"	1	7-20	64229-05	LOCKNUT, 1/2-13 NYLON	1
	81-A180	BELT-72"	1	7-21	83-BK4012	PULLEY-4" 3/4" BORE	1
						(USED ON 72" ONLY)	
7-4	83-BK5012	PULLEY-5" 3/4" BORE	1		83-BK5012	PULLEY-5" 3/4" BORE	1
7-5	64139-24	BLT-WLF 3/8-16 X 1	4			(USED ON 60" & 72" MODELS ONLY)	
7-6	64141-4	NUT-WLF 3/8-16	16	7-22	64229-02	LOCKNUT-NYLON 5/16-18	1
7-7	64-660.7	ANCHOR-LFT ARM RT	2	7-23	64163-67	WASHER-.516X1X12	2
		(USED ON 48" SN 1001 - 1493)		7-24	99-G06	WASHER-1/4	1
	64-934.7	ANCHOR-LFT ARM RT	2	7-25	64123-54	BOLT, 5/16-18X3/4 HEX	1
		(USED ON 48" SN 1494 -)		7-26	64-933.7	LIFT ARM-TOP LINK	1
	64-646.7	ANCHOR-LFT ARM RT	2	7-27	64-932.7	LIFT ARM-LOWER LINK	1
		(USED ON 60" SN 1001 - 4727)		7-28	64141-13	NUT WLF 1/2-13	1
	64-936.7	ANCHOR-LFT ARM RT	2	7-29	64006-05	LOCKWSHR-1/2	1
		(USED ON 60" SN 4728 -)		7-30	64123-125	BOLT-HEX 1/2-13X2-3/4	1
	64-668.7	ANCHOR-LFT ARM RT	2	7-31	64268-03	NUT-FL NYLON LOCK 3/8-16	4
		(USED ON 72" SN 1001 - 1969)		*	81-A040	BELT	1
	64-938.7	ANCHOR-LFT ARM RT	2	*	81-B041	BELT	1
		(USED ON 72" SN 1970 -)					
7-8	99-K82	BOLT, FLANGE 1/2-13 X 2	1				
7-9	64-661.7	ANCHOR-LFT ARM LFT	2				
		(USED ON 48" SN 1001 - 1493)					
	64-935.7	ANCHOR-LFT ARM LFT	2				
		(USED ON 48" SN 1494 -)					
	64-645.7	ANCHOR-LFT ARM LFT	2				
		(USED ON 60" SN 1001 - 4727)					
	64-937.7	ANCHOR-LFT ARM LFT	2				
		(USED ON 60" SN 4728 -)					
	64-669.7	ANCHOR-LFT ARM LFT	2				
		(USED ON 72" SN 1001 - 1969)					
	64-939.7	ANCHOR-LFT ARM LFT	2				
		(USED ON 72" SN 1970 -)					
7-10	85-SC08	SET COLLAR-1/2"	2				
7-11	62-698.7	HITCH ARM-RIGHT	1				
	62-858.7	HITCH ARM-RIGHT	1				
7-12	64139-24	BLT-WLF 3/8-16 X 1	4				
7-13	80-237	SHAFT-MOWER DRIVE	1				
7-14	55-FB23012	BRG-2-BOLT FLANGE 3/4	2				
7-15	62-699.7	HITCH ARM-LEFT	1				
	62-857.7	HITCH ARM-LEFT	1				
7-16	64141-6	NUT, 5/16-18	2				
7-17	64-611.7	SHIELD-DRIVE PULLEY	1				

* NOT ILLUSTRATED

FIGURE 8



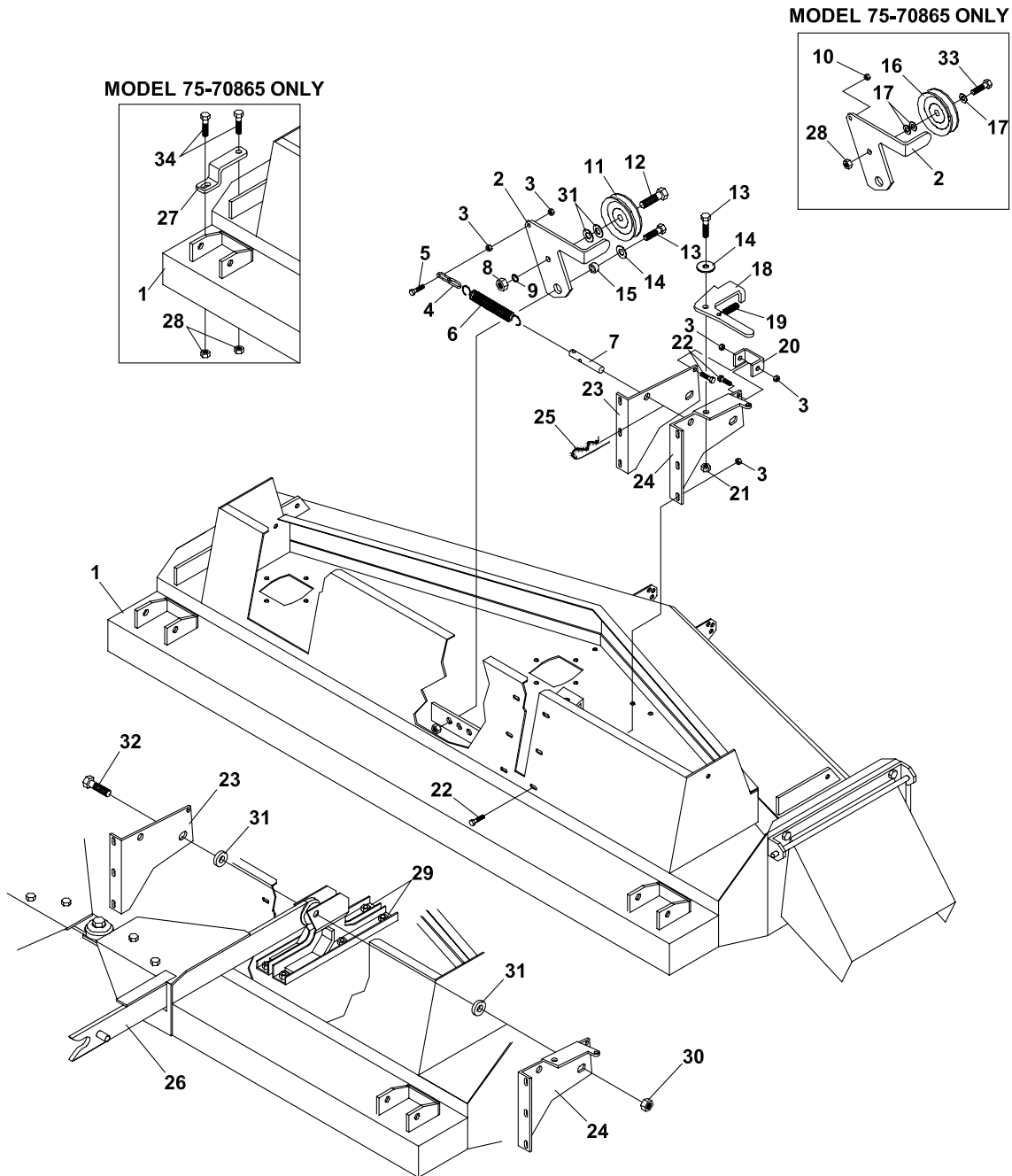
ROTARY MOWER

SPINDLE PARTS

FIGURE 8

ITEM	PART NO.	DESCRIPTION	QTY	ITEM	PART NO.	DESCRIPTION	QTY
8-1	87-235	SHAFT-SPINDLE	1				
8-2	87-209843	SEAL	2				
8-3	87-244643	BEARING CONE	2				
8-4	87-244610	BEARING CUP	2				
8-5	87-240001-5	CASTING-W/O BRTHR HLE	1				
	87-240001-6	CASTING-W/BRTHR HLE	1				
8-6	87-240101-01	BLADE ADAPTER W/CUP	1				
8-7	87-203293	RETAINING RING	2				
8-8	87-203815	BOLT-3/8 X 1-1/2 SHCS	4				

FIGURE 9



ROTARY MOWER

FLIP-UP DECKS

FIGURE 9

ITEM	PART NO.	DESCRIPTION	QTY	ITEM	PART NO.	DESCRIPTION	QTY
9-1	REF	MAIN DECK WELDMENT	1	9-31	64163-67	WASHER-.516X1X12	4
9-2	40-329.7	IDLER ARM-(48" & 60")	1	9-32	64123-125	BOLT-HEX 1/2-13X2-3/4	1
	40-330.7	IDLER ARM-(72")	1	9-33	64123-87	BOLT-HEX 3/8-16X1-3/4	1
9-3	64141-2	NUT-WLF 1/4-20	10	9-34	64139-21	BLT-WLF 3/8-16X3/4	2
9-4	6107645	CHAIN, IDLER ARM STOP	1			(USED ON 72" SN 2592 -)	
9-5	64123-80	BLT-HEX 1/4-20X1-1/4	1				
9-6	41-092	SPRING-(60")	1				
	41-052	SPRING-(48")	1				
	41-051	SPRING-(72")	1				
9-7	64-966	PIVOT STOP PIN	1				
9-8	64025-09	HEX, NUT 1/2-13	2				
9-9	64006-05	LOCKWSHR-HELICAL 1/2	2				
9-10	F1002	NUT, JAM 1/4-20	1				
9-11	83-012	IDLER-"V" 1/2" ID X 4-1/2" OD2	2				
9-12	90-0814	BOLT-1/2 X 1-3/4	1				
9-13	64123-50	BOLT-HEX 3/8-16X1	2				
9-14	64-799	WASHER-13/32IDX1-9/32OD	2				
9-15	85-B29	BUSHING-.406X.740X.258	1				
9-16	83-034	IDLER-"V" 3/8" ID X 5" OD	1				
		(USED ON 72" ONLY)					
9-17	64163-61	WSHR .81X.406X16GA	3				
		(USED ON 72" ONLY)					
9-18	64-967.7	FLIP-UP LATCH	1				
9-19	41-013	SPRING-EXT. 0.50 X 1.938	1				
9-20	64-965.7	FRONT LIFT ARM STOP	1				
9-21	64229-03	LOCKNUT-NYLON 3/8-16	1				
9-22	64139-04	BOLT-WLF 1/4-20X3/4	8				
9-23	64-968.7	FLIP-UP DECK BRACE-LFT	1				
		(USED ON 60" & 72" ONLY)					
	64-970.7	FLIP-UP DECK BRACE-LFT	1				
		(USED ON 48" ONLY)					
9-24	64-969.7	FLIP-UP DECK BRACE-RT	1				
		(USED ON 60" & 72" ONLY)					
	64-971.7	FLIP-UP DECK BRACE-RT	1				
		(USED ON 48" ONLY)					
9-25	64168-1	COTTER-HAIRPIN.120X2-3/8	1				
9-26	62-858.7	ARM, RIGHT HITCH	1				
9-27	64-998.7	HOLD DOWN-RLR FRAME	1				
		(USED ON 72" SN 2592 -)					
9-28	64141-4	NUT-WLF 3/8-16	2				
9-29	64-939.7	ANCHOR, LIFT ARM LEFT	2				
	64-938.7	ANCHOR, LIFT ARM RIGHT	2				
9-30	64229-05	LOCKNUT, 1/2-13	1				

World Class Quality, Performance And Support



Equipment from Jacobsen, a Textron company, is built to exacting standards ensured by ISO 9001 and ISO 14001 registration at all our manufacturing locations.

A worldwide dealer network and factory-trained technicians backed by Textron Parts Xpress provide reliable, high-quality product support.



BOB-CAT BROWER BUNTON CUSHMAN RYAN STEINER